



PES-1000-PW



Features

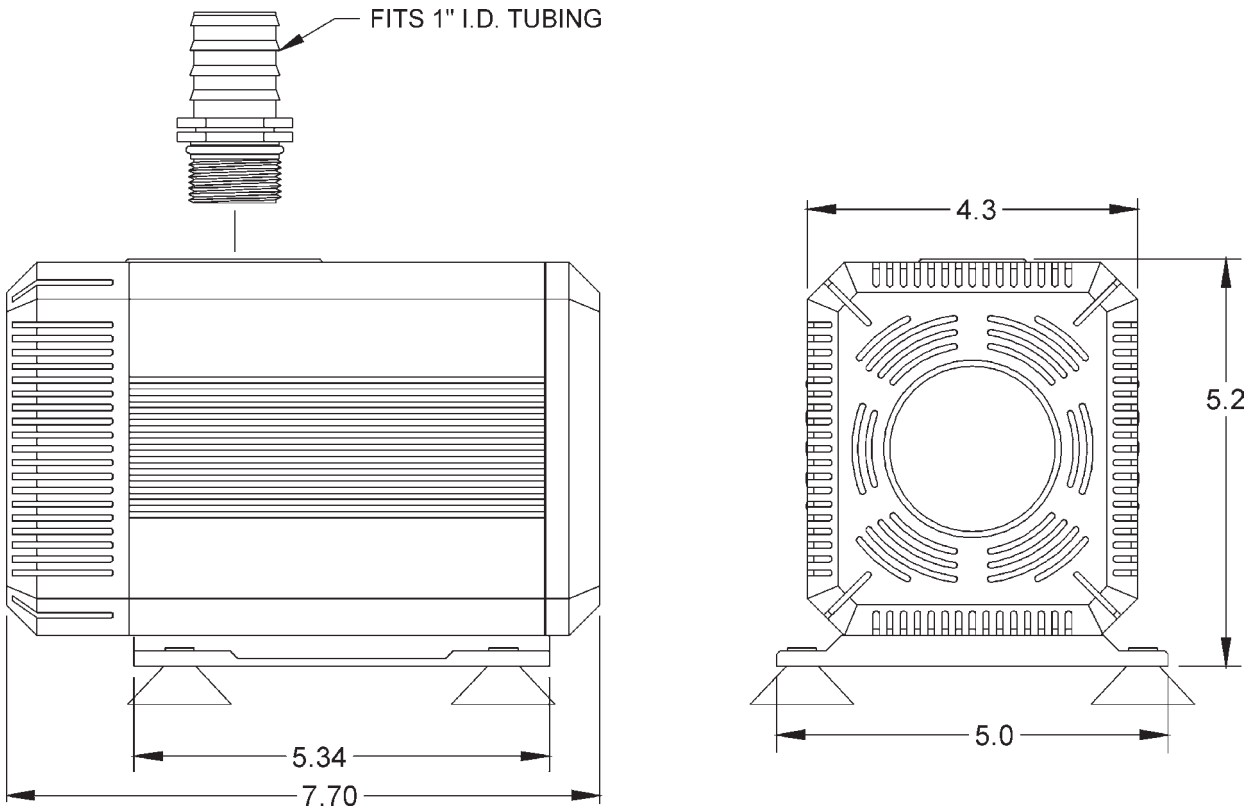
- Energy efficient
- Environmentally safe, oil-less
- Corrosion resistant body
- 15' Cord
- 11.5' maximum lift
- 80 watts
- Discharge accepts 3/4" I.D. tubing

Construction

- Motor — Wet-rotor (hysteresis) epoxy encapsulated
- Intermittent Liquid Temp. up to — 120°F
- Discharge — 1" MNPT
- Housing — ABS
- Cover — ABS
- Volute — ABS
- Impeller — POM
- Screen — ABS
- Motor Shaft — Ceramic

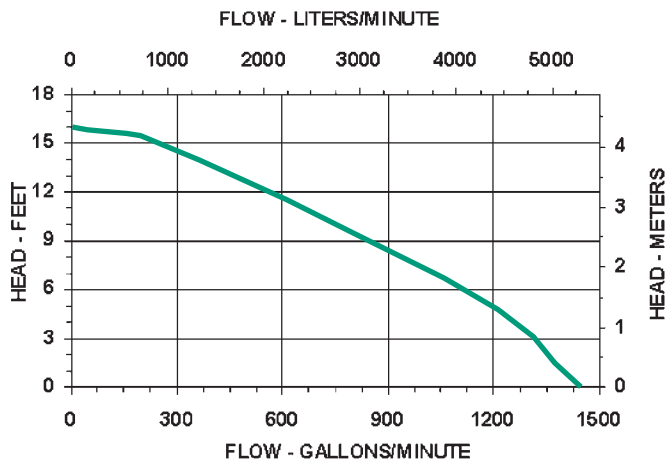
PondWorks® statuary and fountain pumps are designed to enhance your water gardening experience, providing you with beauty and serenity through the sights and sounds of a waterfall, stream or fountain spray nozzle. The mag drive pumps are designed to operate with minimal energy consumption, resulting in low operating costs.

PES-1000-PW



Specifications

Model No.	Item No.	Discharge	Listings	Volts	Hertz	Amps	Watts	Performance (GPH @ Head)					Shut Off		Pwr. Cord (ft.)	Weight (lbs.)	Height	Length	Width
								0'	1'	5'	10'	15'	Feet	PSI					
PES-1000-PW	566296	1/2" MNPT	cULus	120	60	2	160	1450	1400	1200	750	250	16.0	6.9	15	9.50	5.30	7.70	5.00



PES-1000-PW

Head (ft.)	Flow (GPH)	Head (m)	Flow (LPH)
0	1450	0.0	5489
1	1400	0.3	5300
5	1200	1.5	4542
10	750	3.0	2839
15	250	4.6	946
16	0	4.9	0

For technical advice or service please take your pump into your local pump service center.
To order pump or parts or for pricing please go to the following links :

[Little Giant Pumps Home >>](#)

[Little Giant Pumps stock list >>](#)