

*Little Giant*<sup>®</sup>

---

## PE-1F-PW SERIES

---



### Features

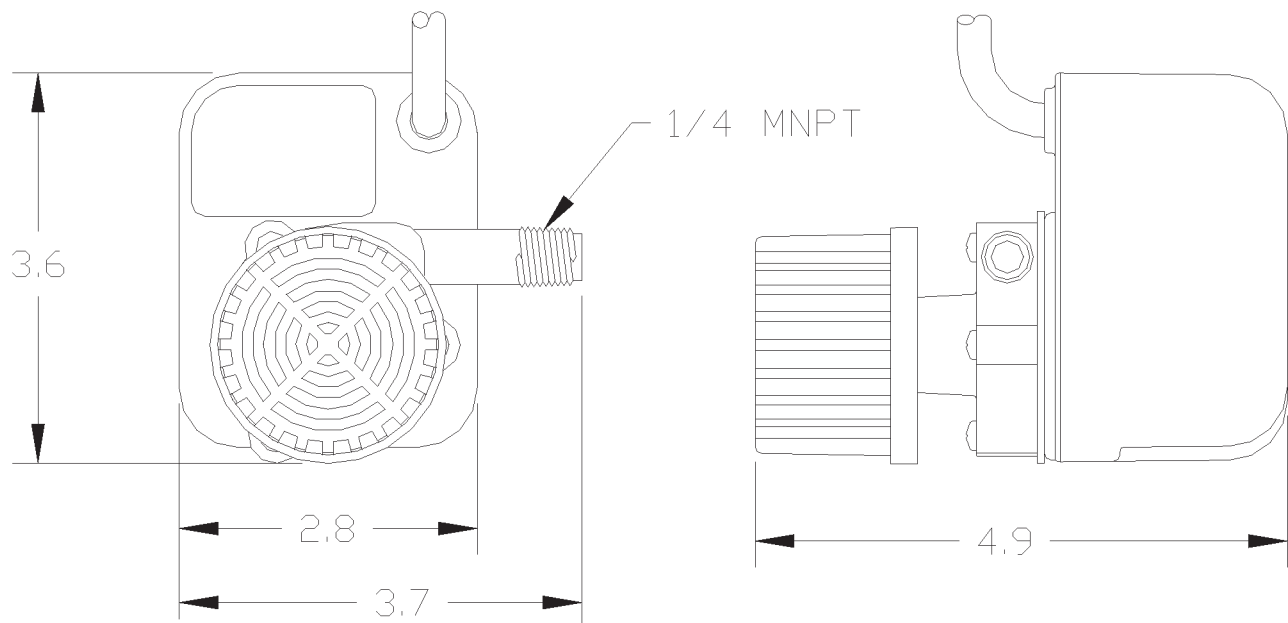
- Environmentally safe, oil-less
- Energy efficient
- Corrosion resistant body
- 15' Cord
- 7' maximum lift
- 36 watts
- 1/4" MNPT Discharge (accepts 1/2" I.D. tubing)
- For submersible use only

### Construction

- Motor — 1/125 HP Epoxy Encapsulated
- Intermittent Liquid Temp. up to — 120° F
- Intake — Screened
- Discharge — 1/4" MNPT
- Housing — Polyester
- Cover — Polyester
- Volute — Polypropylene
- Impeller — Polypropylene
- Shaft Seal — Nitrile<sup>®</sup>
- Screen — Polypropylene

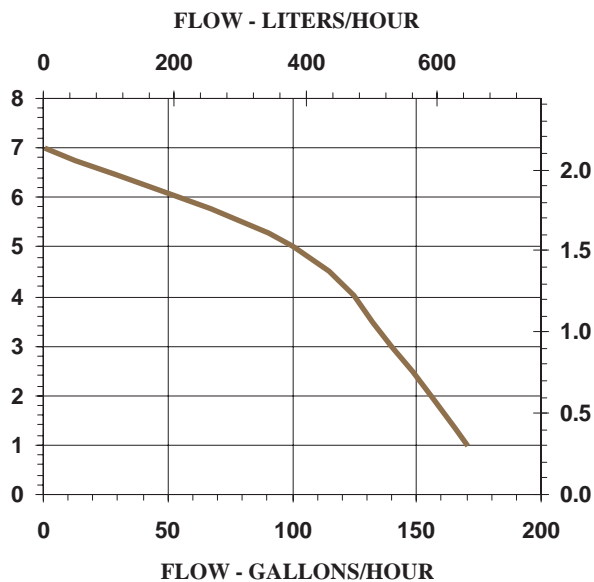
This pump features an epoxy-encapsulated motor, plastic housing and radial lip seal on the motor shaft. It

# PE-1F-PW SERIES



## Specifications

Model No.	Item No.	Discharge	Listings	HP	Volts	Hertz	Amps	Watts	Performance (GPH @ Head)					Shut Off Feet	PSI	Pwr. Cord (ft)	Weight (Lbs.)
									1'	2'	3'	4'	5'				
PE-1F-PW	566631	1/4" MNPT	UL/CSA	1/125	115	60	0.6	36	170	160	140	120	100	7	3.0	15	3.67



## Replacement Parts

Volute	101333
Impeller	118441
Screen	118911
Gasket	101604

---

For technical advice or service please take your pump into your local pump service center.  
To order pump or parts or for pricing please go to the following links :

[Little Giant Pumps Home >>](#)

[Little Giant Pumps stock list >>](#)