

Little **GIANT**[®] Pump Company

TE-7-MD-SST



Features

- Thermally Protected, Totally Enclosed, Fan Cooled, Split Phase Motor
- Ball Bearings
- Conduit Box (Must be field wired)
- Specific gravity from 1.1 to 1.5, 1-½ hp unit recommended for specific gravity of 1.2 or higher
- Fluid Temperature to 250 Degrees F.
- Ambient Air Temperature to 77 Degrees F.
- NOTE: Consult your local distributor or the factory for applications with higher ambient temperatures, specific gravities and viscosities.

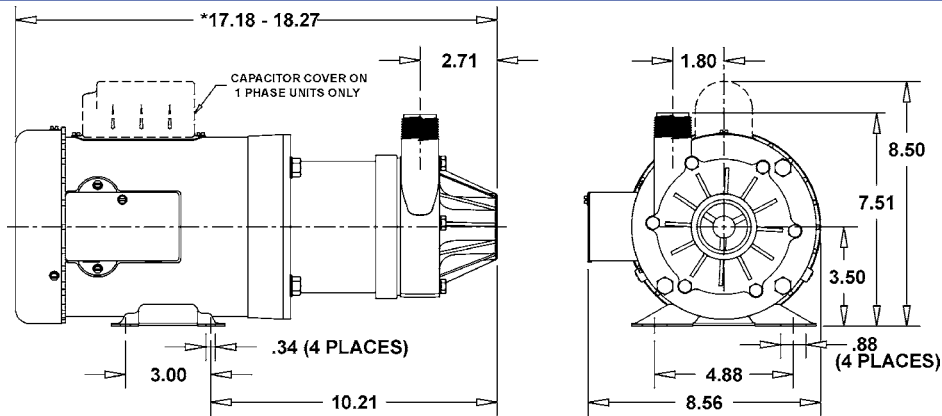
Construction

- Volute — Stainless Steel
- Backplate — Stainless Steel
- Impeller — Stainless Steel w/Carbon bushing
- Shaft — Ceramic
- Thrust Washers — Ceramic
- O-Ring — Viton[®]

The Little Giant MD-SST series features leakproof, seal-less magnetic drives and are designed for in-line, non submersible use. Volute, magnet housing and impeller are stainless steel for excellent chemical resistance. Ceramic shaft and thrust washers are 99.5% pure alumina for excellent wear and trouble-free service. Pumping

Little Giant Pump Co.

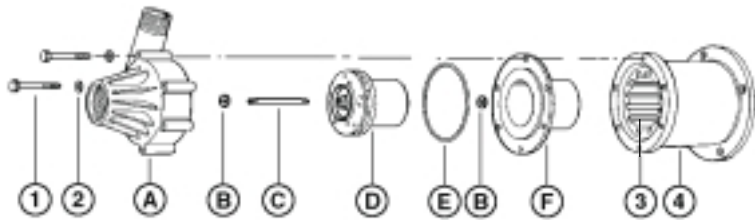
TE-7-MD-SST



*NOTE: Designs and dimensions may vary for various reasons (i.e. type of motor). This information should be used as general guide rather than an unqualified guarantee. Specifications are subject to change without prior notice.

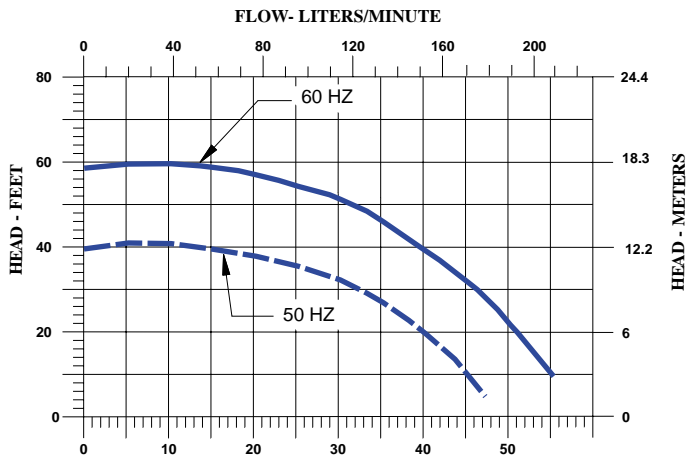
Specifications

Model No.	Item No.	Intake	Discharge	Listing(s)	HP	Volts	Hertz	Phase	Amps	Watts	Performance (GPH @ Head)					Shut Off		Weight (Lbs.)
											5'	20'	30'	40'	50'	Feet	PSI	
TE-7-MD-SST	587301	1-1/2" FNPT	1" MNPT	UR,C-CSA	1/4	115	50/60	1	9.9/12.4	845/1280	52.5	51.3	47.0	40.2	32.0	55.7	24.1	43
											230	50/60	1	5.0/6.2	845/1280	52.5	51.3	
TE-7-MD-SST	587302	1-1/2" FNPT	1" MNPT	UR,C-CSA	1/4	230	50/60	3	3.6/3.8	650/830	52.5	51.3	47.0	40.2	32.0	55.7	24.1	36
											460	50/60	3	1.9/1.5	630/800	52.5	51.3	
TE-7-MD-SST	587303	1-1/2" FNPT	1" MNPT	UR,C-CSA	1-1/2	115	50/60	1	12.2/13.0	875/1300	52.5	51.3	47.0	40.2	32.0	55.7	24.1	51
											230	50/60	1	5.9/6.5	875/1300	52.5	51.3	
TE-7-MD-SST	587304	1-1/2" FNPT	1" MNPT	UR,C-CSA	1-1/2	230	50/60	3	4.6/3.8	700/850	52.5	51.3	47.0	40.2	32.0	55.7	24.1	42
											460	50/60	3	2.4/1.8	650/850	52.5	51.3	



Replacement Parts

ITEM	PART NO.	DESCRIPTION
A	187034	Volute
B	187085	Thrust Washer
C	187056	Shaft
D	187147	Impeller w/Bushing
E	924016	O-Ring
F	187035	Backplate
1	903712	Bolt
2	921051	Washer
3	187101	Drive Magnet
4	187073	Magnet Housing



For technical advice or service please take your pump into your local pump service center.
To order pump or parts or for pricing please go to the following links :

[Little Giant Pumps Home >>](#)

[Little Giant Pumps stock list >>](#)