

# Little **GIANT**<sup>®</sup> Pump Company

---

## 5-MD

---



### **Features**

- Thermally Protected, Open, Fan-Cooled, Permanent Split Capacitor Motor
- Ball Bearings
- 6' Power Cord with 3-Prong Plug (No plug on 230V)
- Specific Gravity to 1.1
- Fluid Temperature to 150 Degrees F.
- Ambient Air Temperature to 77 Degrees F.
- NOTE: Consult your local distributor or the factory for applications with higher ambient temperatures, specific gravities and viscosities.

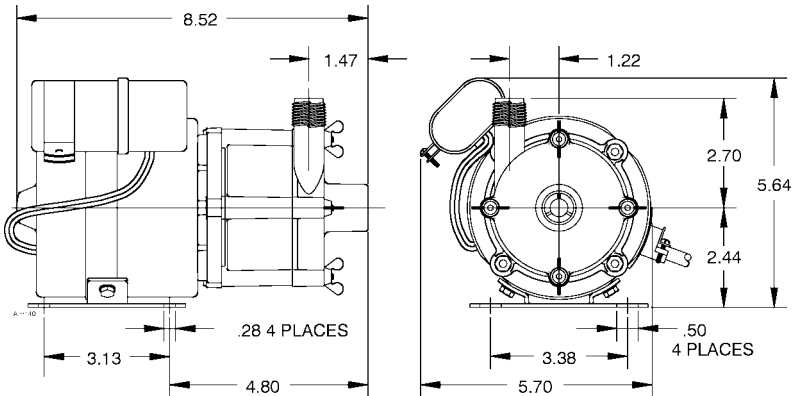
### **Construction**

- Volute — Glass-filled Polypropylene
- Housing — Glass-filled Polypropylene
- Impeller — Glass-filled Polypropylene & Ceramagnet "A" (Barium Ferrite)
- Shaft — Titanium
- Thrust Washers — Titanium
- O-Ring — Nitrile

The Little Giant MD series features leakproof, seal-less magnetic drives and are designed for in-line, non submersible use. Volute and magnet housing are glass-filled polypropylene for excellent chemical resistance. Impeller is glass-filled polypropylene and Ceramagnet "A" (Barium Ferrite). Shaft and thrust washers are

# Little Giant Pump Co.

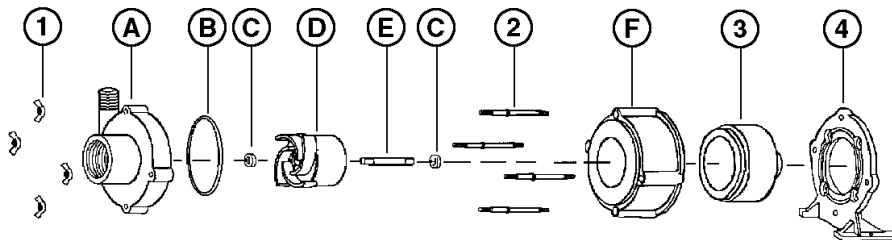
## 5-MD



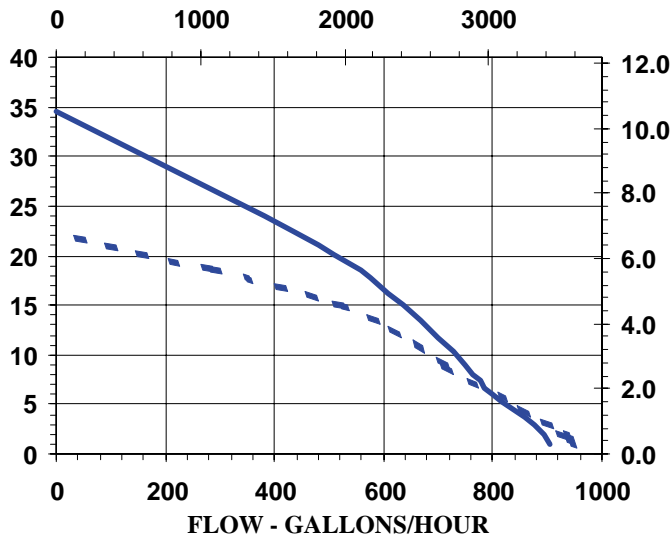
NOTE: Designs and dimensions may vary for various reasons (i.e. type of motor). This information should be used as general guide rather than an unqualified guarantee. Specifications are subject to change without prior notice.

### Specifications

Model No.	Item No.	Intake	Discharge	Listing(s)	HP	Volts	Hertz	Amps	Watts	Performance (GPH @ Head)					Shut Off		Pwr. Cord (ft)	Weight (Lbs.)
										1'	3'	6'	9'	15'	Feet	PSI		
5-MD	583002	1/2" FNPT	1/2" MNPT	UR/C-CSA	1/8	115	60	2.1	200	905	875	800	750	635	34.6	15.0	6	9.25
5-MD	583012	1/2" FNPT	1/2" MNPT	UR/C-CSA	1/8	230	60	1.0/1.1	200/240	905	875	800	750	635	34.6	15.0	6	8.50
5-MD	583098	1/2" FNPT	1/2" MNPT	PUMP HEAD LESS MOTOR													2.00	



FLOW - LITERS/HOUR



### Replacement Parts

ITEM	PART NO.	DESCRIPTION
A	183070	Volute
B	924007	O-Ring
C	921067	Thrust Washer
D	183142	Impeller
E	182056	Shaft
F	182005	Housing
1	920003	Wing Nut
2	911403	Stud, Collared
3	183602	Drive Magnet
4	183031	Mtg. Bracket

Note: Parts A-F Contact Fluid.

---

For technical advice or service please take your pump into your local pump service center.  
To order pump or parts or for pricing please go to the following links :

[Little Giant Pumps Home >>](#)

[Little Giant Pumps stock list >>](#)