

Little GIANT[®] Pump Company

4-MDIX-SC



Features

- Thermally Protected, Open, Fan Cooled, Permanent Split Capacitor Motor
- Sleeve Bearings
- 6' Power Cord with 3-Prong Plug
- Specific Gravity to 1.1
- Fluid Temperature to 150 Degrees F.
- Ambient Air Temperature to 77 Degrees F.
- NOTE: Consult your local distributor or the factory for applications with higher ambient temperatures, specific gravities and viscosities.

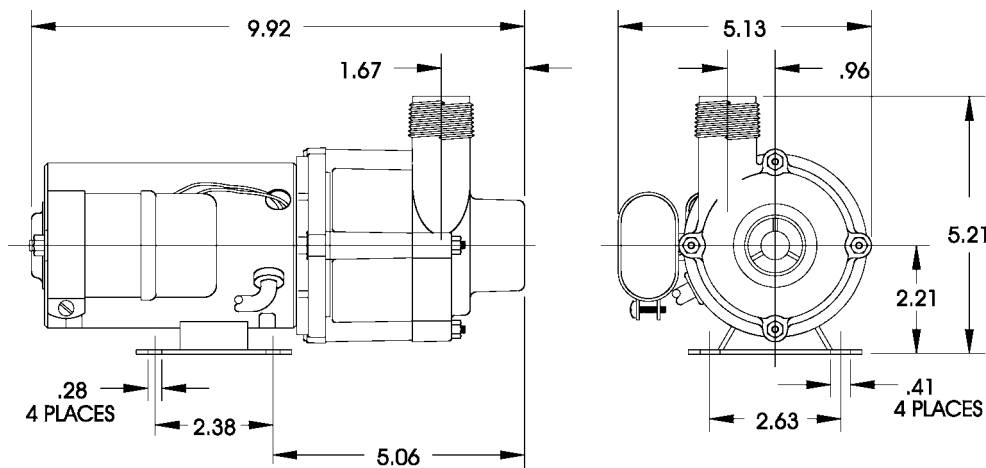
Construction

- Volute — Glass-filled Polypropylene
- Housing — Glass-filled Polypropylene
- Impeller — Glass-filled Polypropylene
- Shaft — Ceramic
- Thrust Washers — Ceramic
- O-Ring — Nitrile

The Little Giant MD-SC series features leakproof, seal-less magnetic drives and are designed for in-line, non submersible use. Volute, magnet housing and impeller are glass-filled polypropylene for excellent chemical resistance. Ceramic shaft and thrust washers are 99.5% pure alumina for excellent wear and trouble-free service.

Little Giant Pump Co.

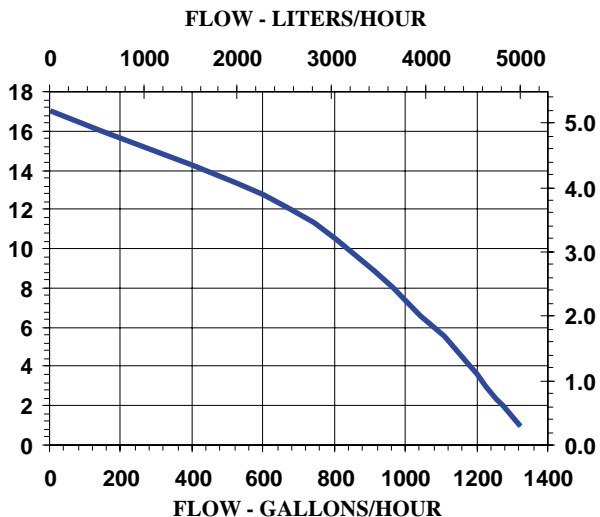
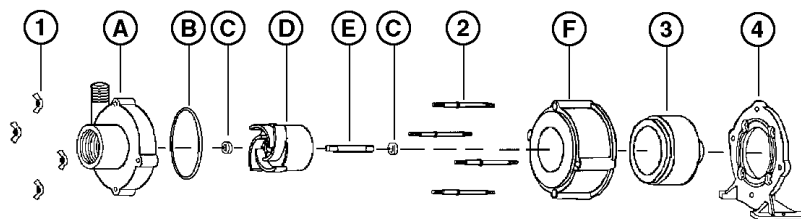
4-MDIX-SC



NOTE: Designs and dimensions may vary for various reasons (i.e. type of motor). This information should be used as general guide rather than an unqualified guarantee. Specifications are subject to change without prior notice.

Specifications

Model No.	Item No.	Intake	Discharge	Listing(s)	HP	Volts	Hertz	Amps	Watts	Performance (GPH @ Head)				Shut Off		Pwr. Cord (ft)	Weight (Lbs.)
										1'	3'	6'	12'	Feet	PSI		
4-MDIX-SC	582509	1" FNPT	1" MNPT	UR/C-CSA	1/10	115	60	1.3	145	1325	1225	1080	675	17	7.4	6	9.00



Replacement Parts

ITEM	PART NO.	DESCRIPTION
A	182012	Volute
B	924007	O-Ring
C	921077	Thrust Washer
D	182153	Impeller
E	180057	Shaft
F	182005	Housing
1	920020	Nut
2	911403	Stud, Collared
3	183602	Drive Magnet
4	180037	Mtg. Bracket

Note: Parts A-F Contact Fluid.

For technical advice or service please take your pump into your local pump service center.
To order pump or parts or for pricing please go to the following links :

[Little Giant Pumps Home >>](#)

[Little Giant Pumps stock list >>](#)