

Little GIANT[®]

Pump Company

2-MD-HC



Features

- Thermally Protected, Open, Fan-Cooled, Motor
- Sleeve Bearings
- 6' Power Cord with 3-Prong Plug
(No plug on 230V)
- Specific Gravity to 1.1
- Fluid Temperature to 200 Degrees F.
- Ambient Air Temperature to 77 Degrees F.
- NOTE: Consult your local distributor or the factory for applications with higher ambient temperatures, specific gravities and viscosities.

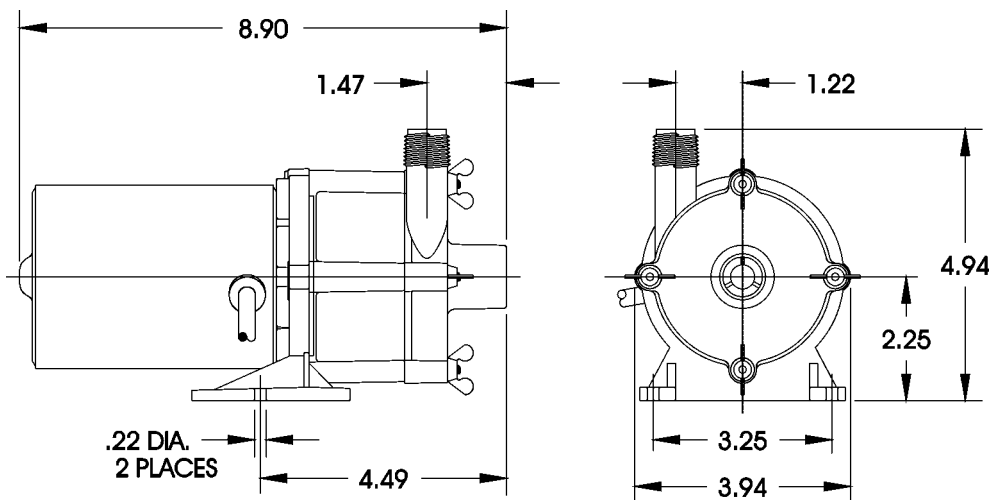
Construction

- Volute — Glass-filled Ryton[®]
- Housing — Glass-filled Ryton[®]
- Impeller — Glass-filled Ryton[®]
w/Carbon Bushing
- Shaft — Ceramic
- Thrust Washers — Ceramic
- O-Ring — Viton[®]

The Little Giant MD-HC series features leakproof, seal-less magnetic drives and are designed for in-line, non submersible use. Volute, magnet housing and impeller are glass-filled Ryton[®] for excellent chemical resistance. Ceramic shaft and thrust washers are 99.5% pure alumina for excellent wear and trouble-free service. Pumping

Little Giant Pump Co.

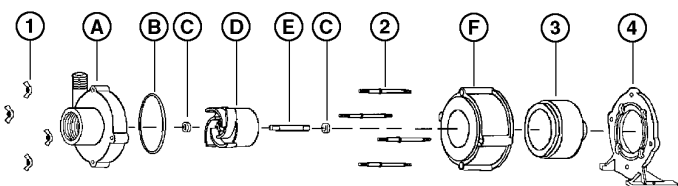
2-MD-HC



NOTE: Designs and dimensions may vary for various reasons (i.e. type of motor). This information should be used as general guide rather than an unqualified guarantee. Specifications are subject to change without prior notice.

Specifications

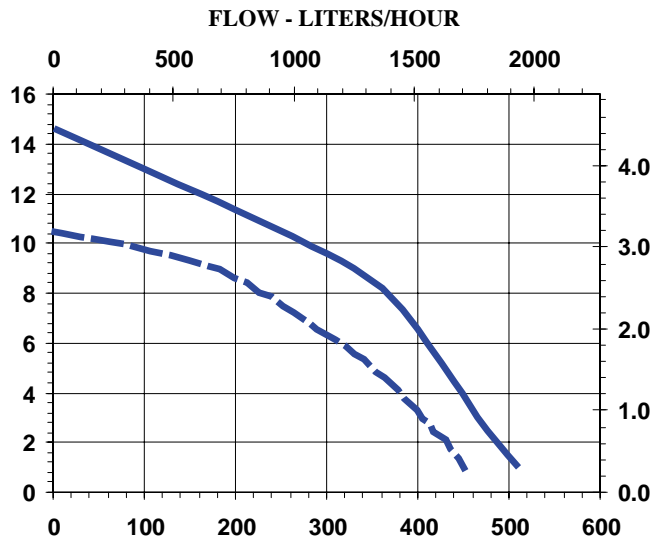
Model No.	Item No.	Intake	Discharge	Listing(s)	HP	Volts	Hertz	Amps	Watts	Performance (GPH @ Head)				Shut Off		Pwr. Cord (ft)	Weight (Lbs.)
										1'	3'	6'	9'	Feet	PSI		
2-MD-HC	580603	1/2" FNPT	1/2" MNPT	UR/C-CSA	1/30	115	60	1.7	105	510	465	410	330	14.6	6.3	6	7.00
2-MD-HC	580613	1/2" FNPT	1/2" MNPT	UR/C-CSA	1/30	230	50/60	.65/.64	105/100	510	465	410	330	14.6	6.3	6	7.00
2-MD-HC	580698	1/2" FNPT	1/2" MNPT														1.83



Replacement Parts

ITEM	PART NO.	DESCRIPTION
A	180080	Volute
B	924008	O-Ring
C	921077	Thrust Washer
D	180110	Impeller
E	180059	Shaft
F	180005	Housing
1	920003	Wing nut
2	911403	Stud, Collared
3	180602	Drive Magnet
4	180042	Mtg. Bracket (115V)
4	180048	Mtg. Bracket (230V)

Note: Parts A-F Contact Fluid.



For technical advice or service please take your pump into your local pump service center.
To order pump or parts or for pricing please go to the following links :

[Little Giant Pumps Home >>](#)

[Little Giant Pumps stock list >>](#)