

Little GIANT[®]

Pump Company

PES-300-PW SERIES



Features

- Environmentally safe, oil-less
- Energy efficient
- Corrosion resistant body
- 15' Cord
- 10.2' maximum lift
- 35 watts
- Discharge accepts 3/4" I.D. tubing

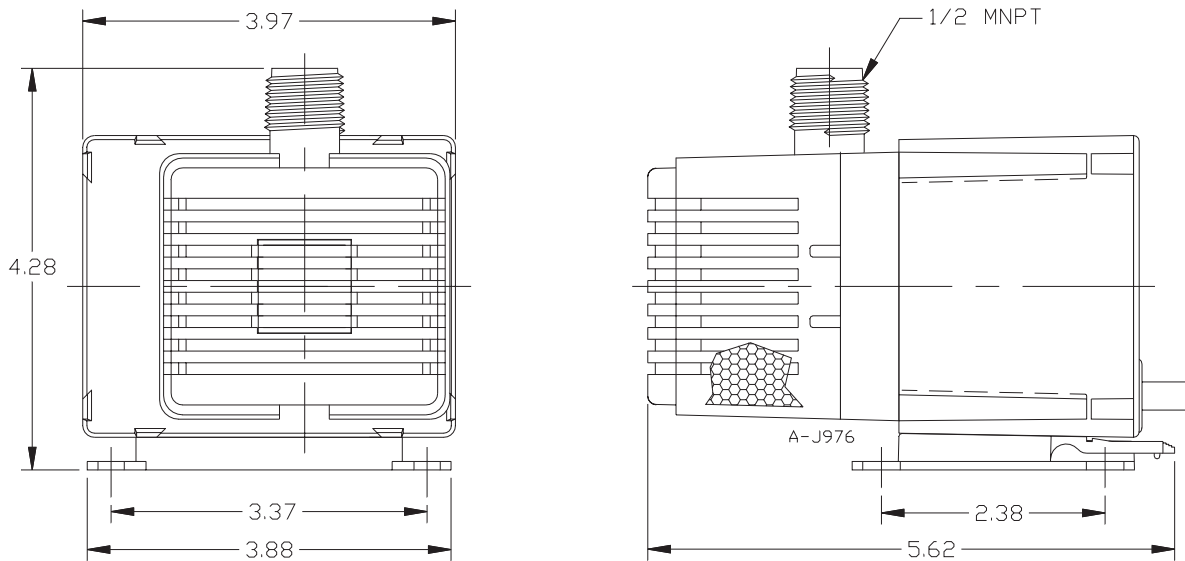
Construction

- Motor — Wet-Rotor (Hysteresis) Epoxy Encapsulated
- Intermittent Liquid Temp. up to — 120° F
- Intake — 1/2" FNPT
- Discharge — 1/2" MNPT
- Housing — Polyester
- Cover — Glass-filled Nylon
- Volute — Glass-filled Nylon
- Impeller — Glass-filled Nylon
- Screen — ABS

This wet-rotor pump, often referred to as a magnetic-drive pump by other manufacturers, utilizes an epoxy-encapsulated motor and plastic housing. A permanent magnet is attached to the impeller. The magnet acts as the rotor would in a conventional motor. The water being pumped surrounds the rotor, thus the term “wet-rotor”. It is seal-less and oil-less. This pump works well in water garden, statuary, and some industrial

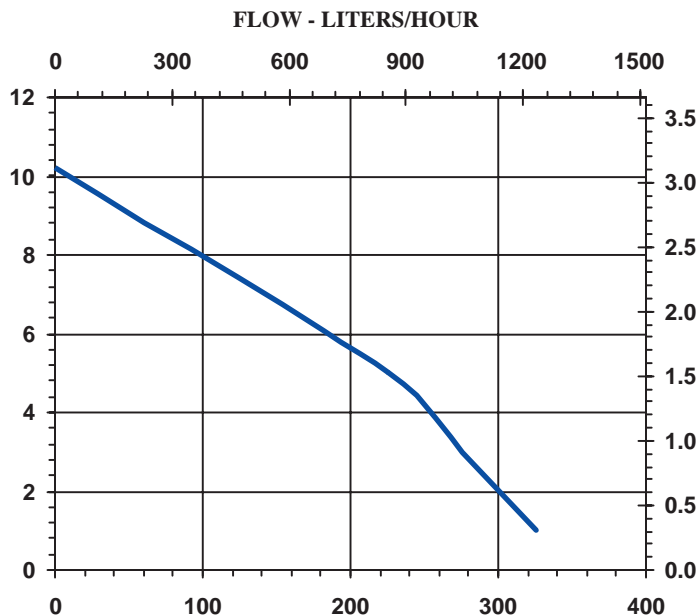
Little Giant Pump Co.

PES-300-PW SERIES



Specifications

Model No.	Item No.	Intake Size	Discharge Size	Listing(s)	HP	Volts	Hertz	Amps	Watts	Performance (GPH @ Head)			Shut Off		Pwr. Cord (ft)	Weight (Lbs)
										1'	3'	5'	Feet	PSI		
PES-300-PW	566653	1/2" FNPT	1/2" MNPT	UL/CSA	N/A	115	60	0.6	35	325	275	225	10.2	4.4	15	4.33



Replacement Parts

Screen	119910
Plug, Screen	119911
Filter Media	119913
Base	119810
Volute	119320
Impeller Assy	599092
O-Ring	924050

Little Giant Pump Co.

For technical advice or service please take your pump into your local pump service center.
To order pump or parts or for pricing please go to the following links :

[Little Giant Pumps Home >>](#)

[Little Giant Pumps stock list >>](#)