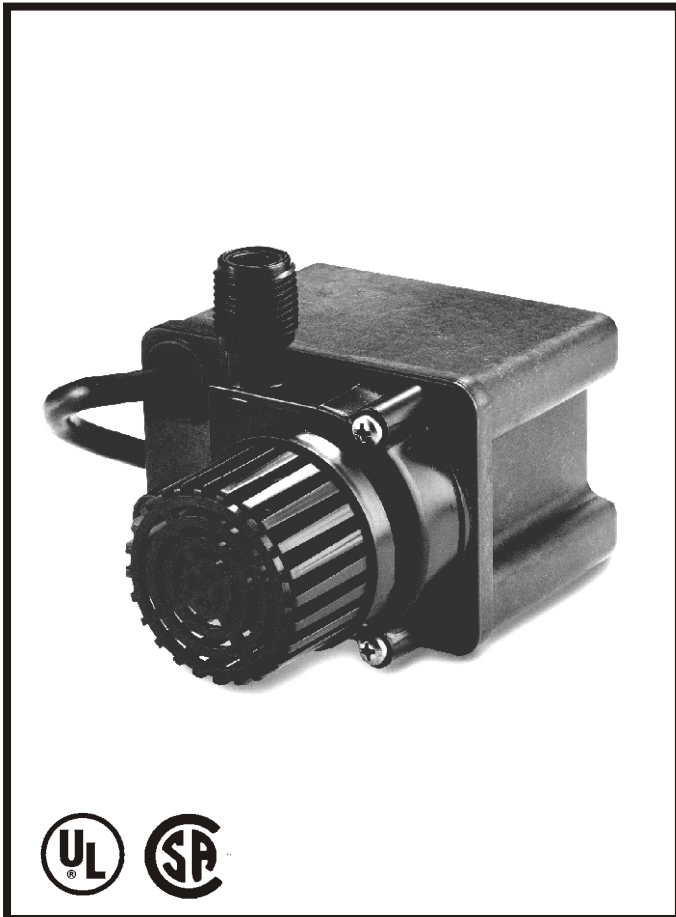


*Little Giant*<sup>®</sup>

---

## PE-2.5F-PW SERIES

---



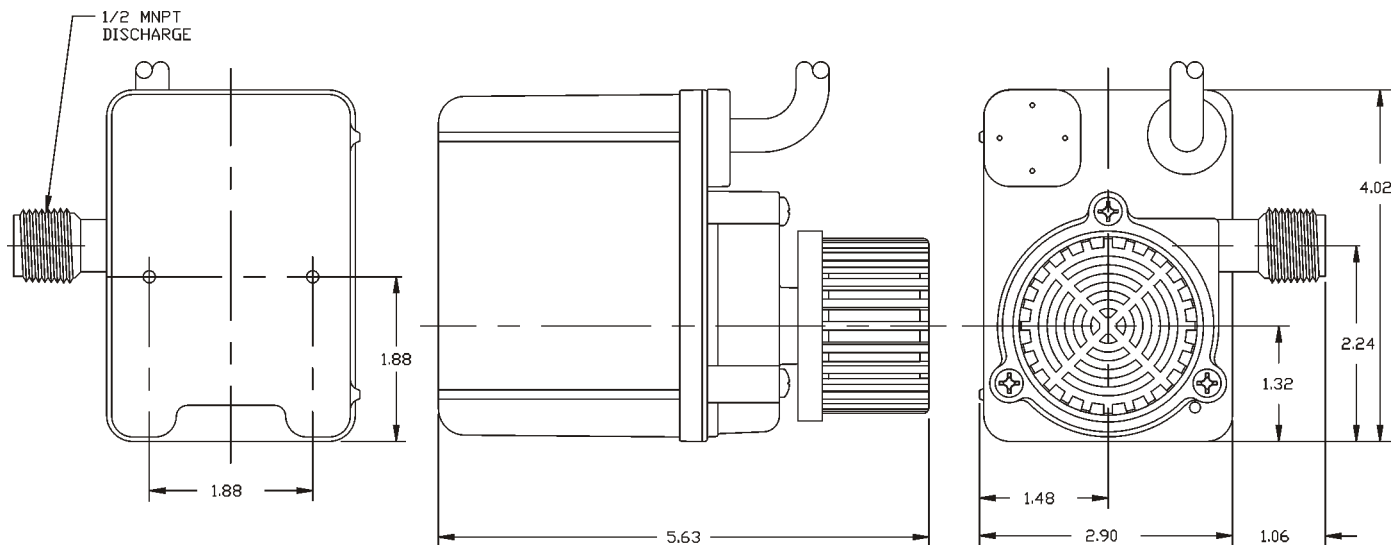
### **Features**

- Environmentally safe, oil-less
- Energy efficient
- Corrosion resistant body
- 15' Cord
- 13.4' maximum lift
- 80 watts
- 1/2" MNPT Discharge
- Discharge accepts 3/4" I.D. tubing
- For submersible use only

### **Construction**

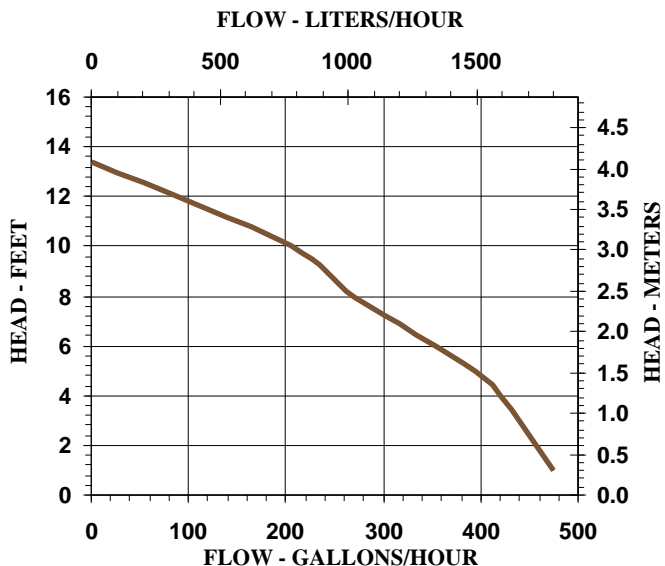
- Motor — 1/28 HP Epoxy Encapsulated
- Intermittent Liquid Temp. up to — 120° F
- Intake — Screened
- Discharge — 1/2" MNPT
- Housing — Glass-filled polyester
- Cover — Glass-filled polyester
- Volute — Polypropylene
- Impeller — Nylon
- Shaft Seal — Viton<sup>®</sup>
- Screen — Polyethylene

# PE-2.5F-PW SERIES



## Specifications

Model No.	Item No.	Discharge	Listings	HP	Volts	Hertz	Amps	Watts	Performance (GPH @ Head)					Shut Off		Pwr. Cord (ft)	Weight (Lbs.)
									1'	3'	5'	8'	10'	Feet	PSI		
PE-2.5F-PW	566633	1/2" MNPT	UL/CSA	1/28	115	60	1.4	80	475	440	395	270	205	13.4	5.8	15	5.33



## Replacement Parts

Volute	118357
Impeller	118444
Screen	118911
Seal Ring	928011

---

For technical advice or service please take your pump into your local pump service center.  
To order pump or parts or for pricing please go to the following links :

[Little Giant Pumps Home >>](#)

[Little Giant Pumps stock list >>](#)