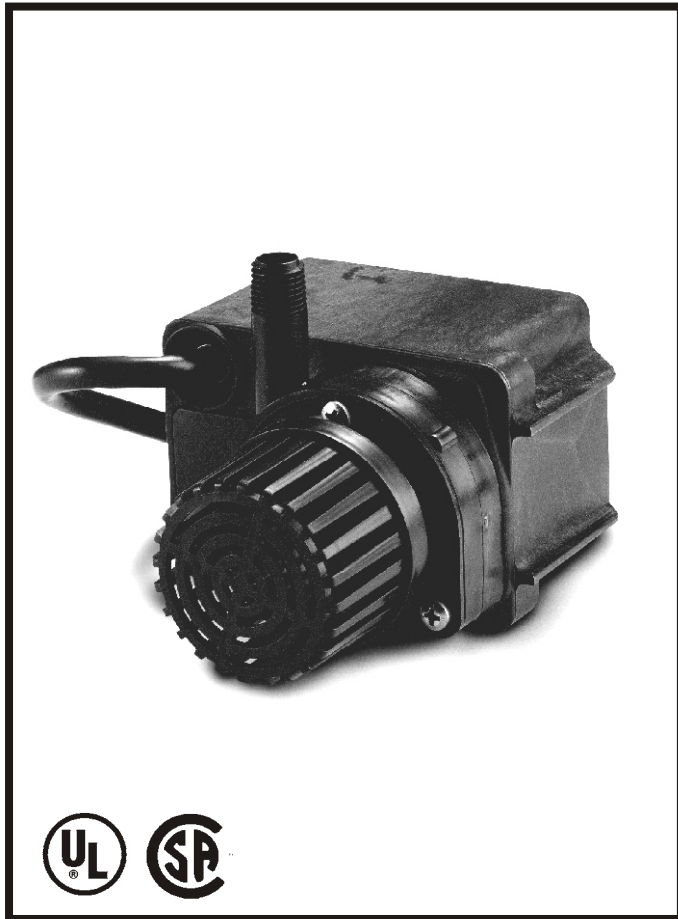


Little Giant[®]

PE-2F-PW SERIES



Features

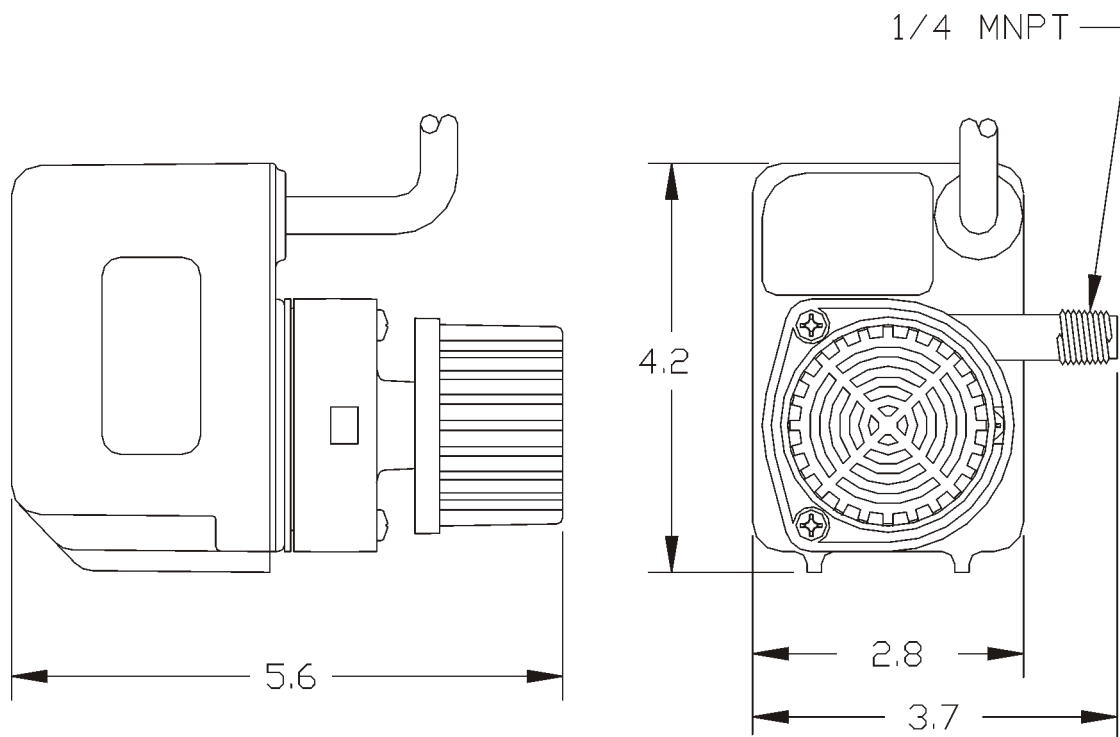
- Environmentally safe, oil-less
- Energy efficient
- Corrosion resistant body
- 15' Cord
- 12.2' maximum lift
- 47 watts
- 1/4" MNPT Discharge
- For submersible use only
- Discharge accepts 1/2" I.D. tubing

Construction

- Motor — 1/40 HP Epoxy Encapsulated
- Intermittent Liquid Temp. up to — 120° F
- Intake — 3/8" FNPT with screen
- Discharge — 1/4" MNPT
- Housing — Glass-filled polyester
- Cover — Glass-filled polyester
- Volute — Nylon
- Impeller — Nylon
- Shaft Seal — Viton[®]
- Screen — Polypropylene

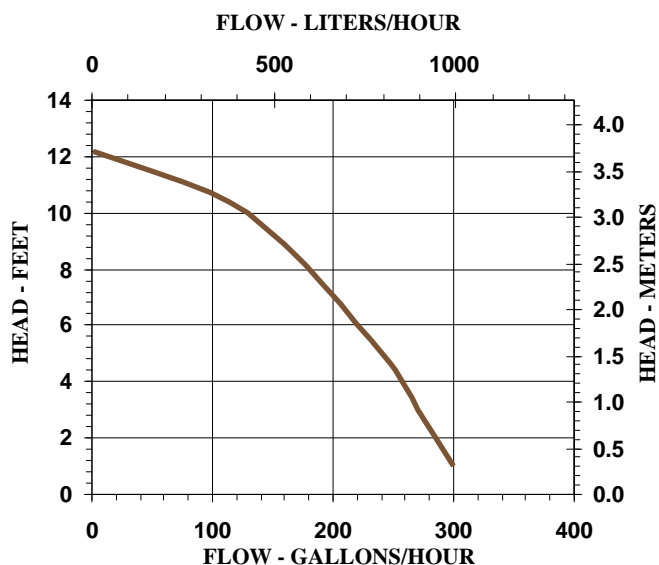
This pump features an epoxy-encapsulated motor, plastic housing and radial lip seal on the motor shaft. It

PE-2F-PW SERIES



Specifications

| Model No. | Item No. | Discharge | Listings | HP | Volts | Hertz | Amps | Watts | Performance (GPH @ Head) | | | | | Shut Off | | Pwr. Cord (ft) | Weight (Lbs.) |
|-----------|----------|-----------|----------|------|-------|-------|------|-------|--------------------------|-----|-----|-----|-----|----------|-----|----------------|---------------|
| | | | | | | | | | 1' | 3' | 5' | 8' | 10' | Feet | PSI | | |
| PE-2F-PW | 566632 | 1/4" MNPT | UL/CSA | 1/40 | 115 | 60 | 0.8 | 47 | 300 | 270 | 240 | 180 | 130 | 12.2 | 5.3 | 15 | 4.83 |



Replacement Parts

| | |
|----------|--------|
| Volute | 102375 |
| Impeller | 102703 |
| Screen | 118911 |
| Gasket | 102601 |

For technical advice or service please take your pump into your local pump service center.
To order pump or parts or for pricing please go to the following links :

[Little Giant Pumps Home >>](#)

[Little Giant Pumps stock list >>](#)