

Little **GIANT** Pump Company

PE-2H-PW SERIES



Features

- Environmentally safe, oil-less
- Energy efficient
- 6' Cord
- 12.2' maximum lift
- 47 watts
- 1/4" MNPT Discharge
- Flow Control accepts 3/8" or 1/2" ID Tubing
- Hooded Intake for lower-level water pick-up
- For submersible use only

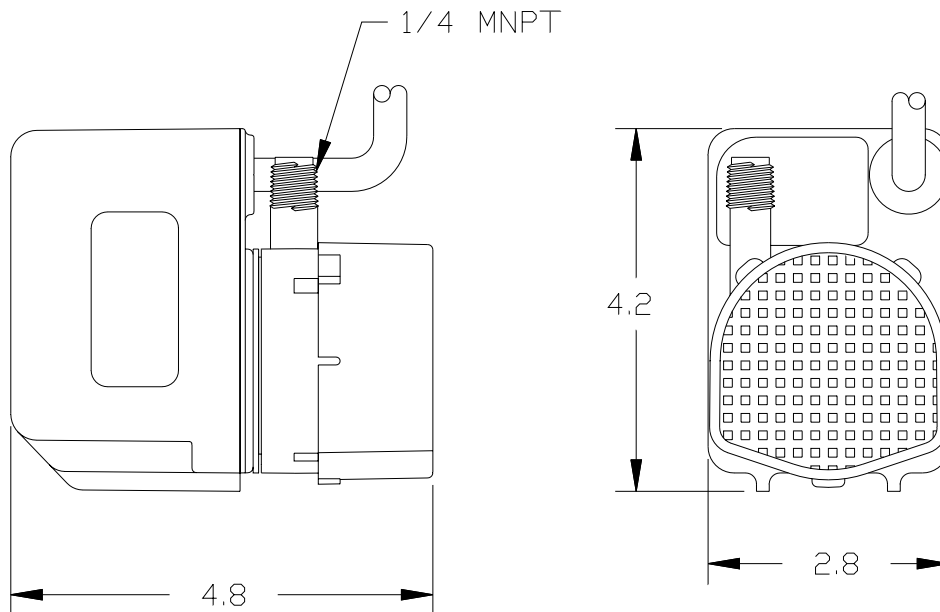
Construction

- Motor — 1/40 HP Epoxy Encapsulated
- Intermittent Liquid Temp. up to — 120° F
- Intake — Screened
- Discharge — 1/4" MNPT
- Housing — Glass-filled polyester
- Cover — Glass-filled polyester
- Volute — Nylon
- Impeller — Nylon
- Shaft Seal — Viton®
- Screen — Polypropylene

This pump features an epoxy-encapsulated motor, plastic housing and radial lip seal on the motor shaft. It

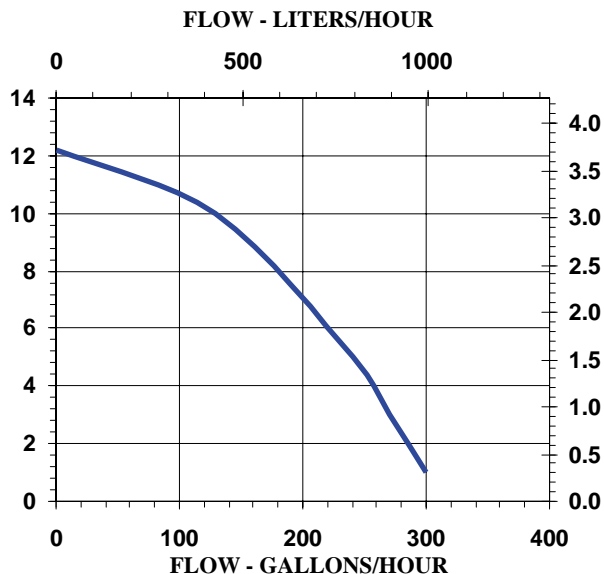
Little Giant Pump Co.

PE-2H-PW SERIES



Specifications

Model No.	Item No.	Discharge	Listings	HP	Volts	Hertz	Amps	Watts	Performance (GPH @ Head)				Shut Off		Pwr. Cord (ft)	Weight (Lbs.)
									1'	3'	5'	10'	Feet	PSI		
PE-2H-PW	566622	1/4" MNPT	UL/CSA	1/40	115	60	0.8	47	300	255	205	70	12.2	5.3	6	4.33



Replacement Parts

Volute	102332
Impeller	102703
Screen	102376
Gasket	102601
Flow Control	599045

For technical advice or service please take your pump into your local pump service center.
To order pump or parts or for pricing please go to the following links :

[Little Giant Pumps Home >>](#)

[Little Giant Pumps stock list >>](#)