

Little **GIANT** Pump Company

PE-1H-PW SERIES



Features

- Environmentally safe, oil-less
- Energy efficient
- 6' Cord
- 7' maximum lift
- 36 watts
- 1/4" MNPT Discharge
- Flow Control accepts 3/8" or 1/2" ID Tubing
- Hooded Intake for lower-level water pick-up
- For submersible use only

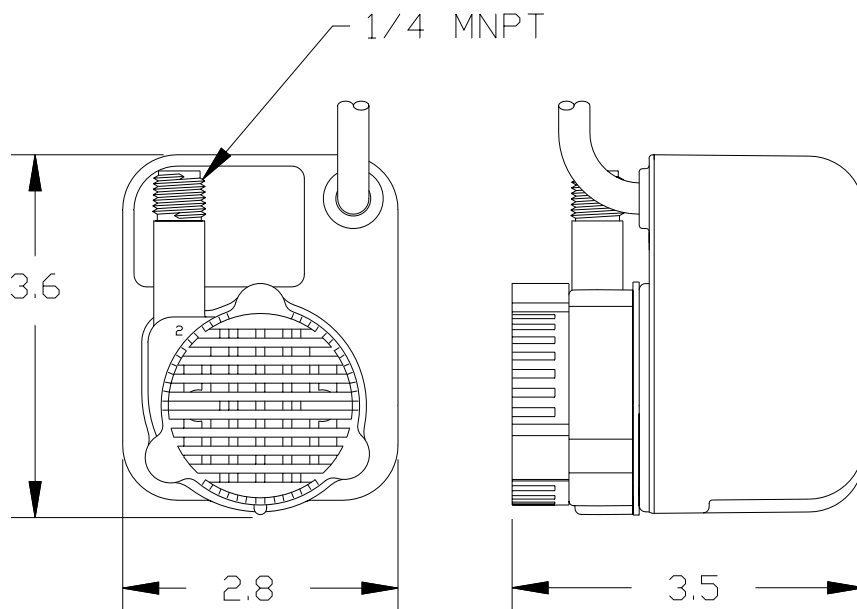
Construction

- Motor — 1/125 HP Epoxy Encapsulated
- Intermittent Liquid Temp. up to — 120° F
- Intake — Screened
- Discharge — 1/4" MNPT
- Housing — Polyester
- Cover — Polyester
- Volute — Polypropylene
- Impeller — Polypropylene
- Shaft Seal — Nitrile®
- Screen — Polypropylene

This pump features an epoxy-encapsulated motor, plastic housing and radial lip seal on the motor shaft. It

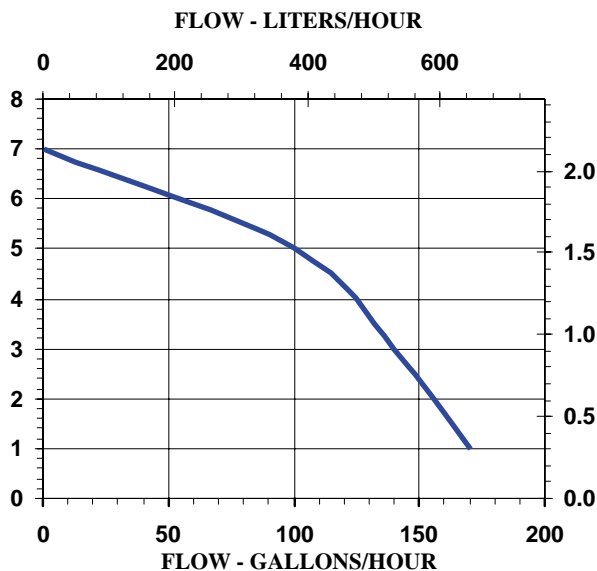
Little Giant Pump Co.

PE-1 H-PW SERIES



Specifications

Model No.	Item No.	Discharge	Listings	HP	Volts	Hertz	Amps	Watts	Performance (GPH @ Head)					Shut Off Feet	PSI	Pwr. Cord (ft)	Weight (Lbs.)
									1'	2'	3'	4'	5'				
PE-1H-PW	566621	1/4" MNPT	UL/CSA	1/125	115	60	0.6	36	170	160	140	120	100	7	3.0	6	3.00



Replacement Parts

Volute	118340
Impeller	118441
Screen	118901
Gasket	101604
Flow Control	599045

For technical advice or service please take your pump into your local pump service center.
To order pump or parts or for pricing please go to the following links :

[Little Giant Pumps Home >>](#)

[Little Giant Pumps stock list >>](#)