



PES-510-PW



Features

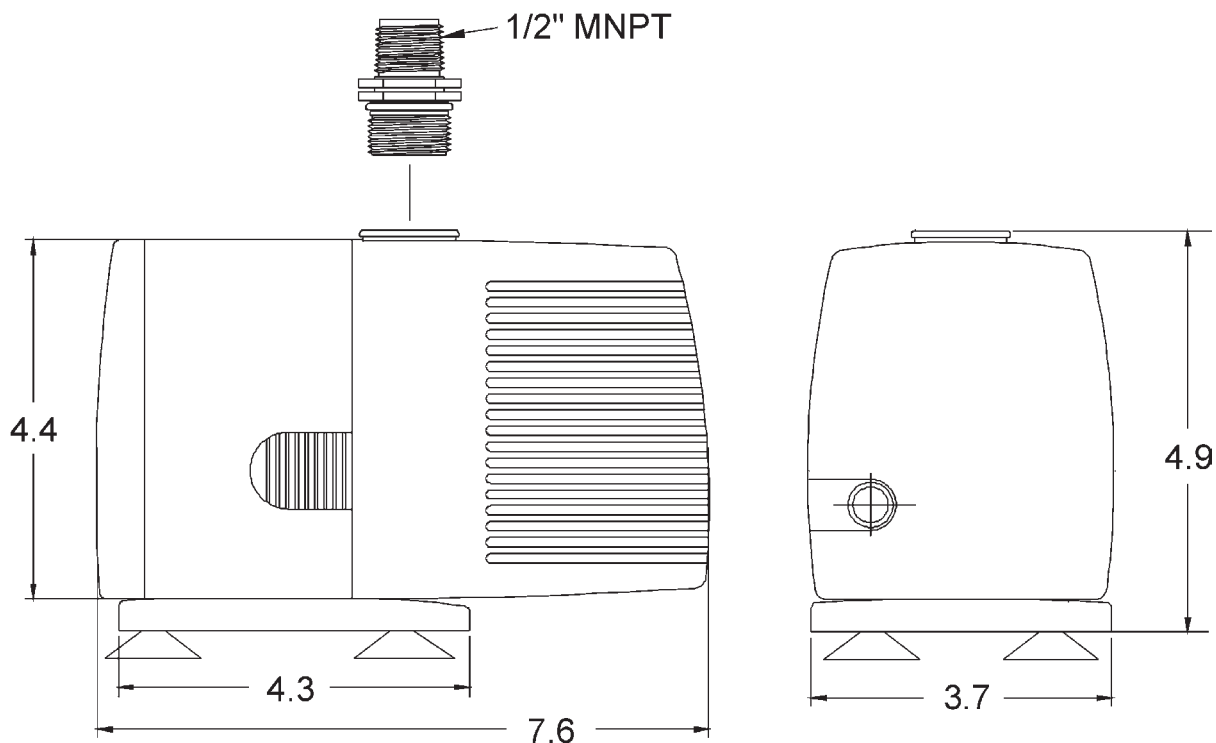
- Energy efficient
- Environmentally safe, oil-less
- Corrosion resistant body
- 15' Cord
- 9.7' maximum lift
- 45 watts
- Discharge accepts 3/4" I.D. tubing

Construction

- Motor — Wet-rotor (hysteresis) epoxy encapsulated
- Intermittent Liquid Temp. up to — 120°F
- Discharge — 1/2" MNPT
- Housing — ABS
- Cover — ABS
- Volute — ABS
- Impeller — POM
- Screen — ABS

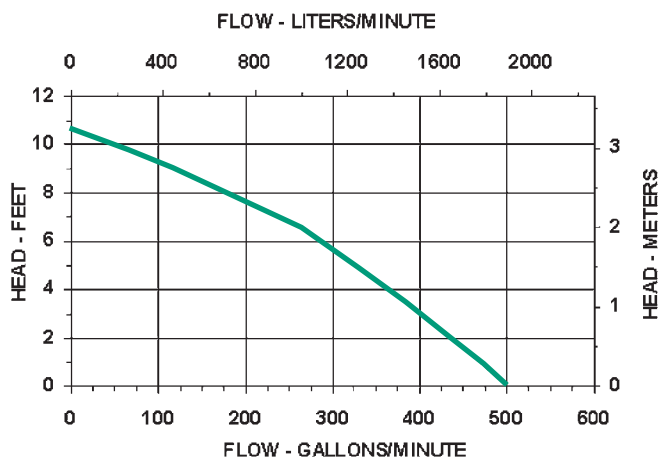
PondWorks® statuary and fountain pumps are designed to enhance your water gardening experience, providing you with beauty and serenity through the sights and sounds of a waterfall, stream or fountain spray nozzle. The mag drive pumps are designed to operate with minimal energy consumption, resulting in low operating costs.

PES-510-PW



Specifications

Model No.	Item No.	Discharge	Listings	Volts	Hertz	Amps	Watts	Performance (GPH @ Head)				Shut Off		Pwr. Cord (ft.)	Weight (lbs.)	Height	Length	Width
								0'	3'	5'	7'	Feet	PSI					
PES-510-PW	566295	1/2" MNPT	cULus	120	60	1.5	60	500	400	325	240	10.6	4.6	15	5.50	5.00	7.60	3.80



PES-510-PW

Head (ft.)	Flow (GPH)	Head (m)	Flow (LPH)
0	500	0.0	1893
3	400	0.9	1514
5	325	1.5	1230
7	240	2.1	908
10	50	3.0	189
10.6	0	3.2	0

For technical advice or service please take your pump into your local pump service center.
To order pump or parts or for pricing please go to the following links :

[Little Giant Pumps Home >>](#)

[Little Giant Pumps stock list >>](#)