



PES-380-PW



Features

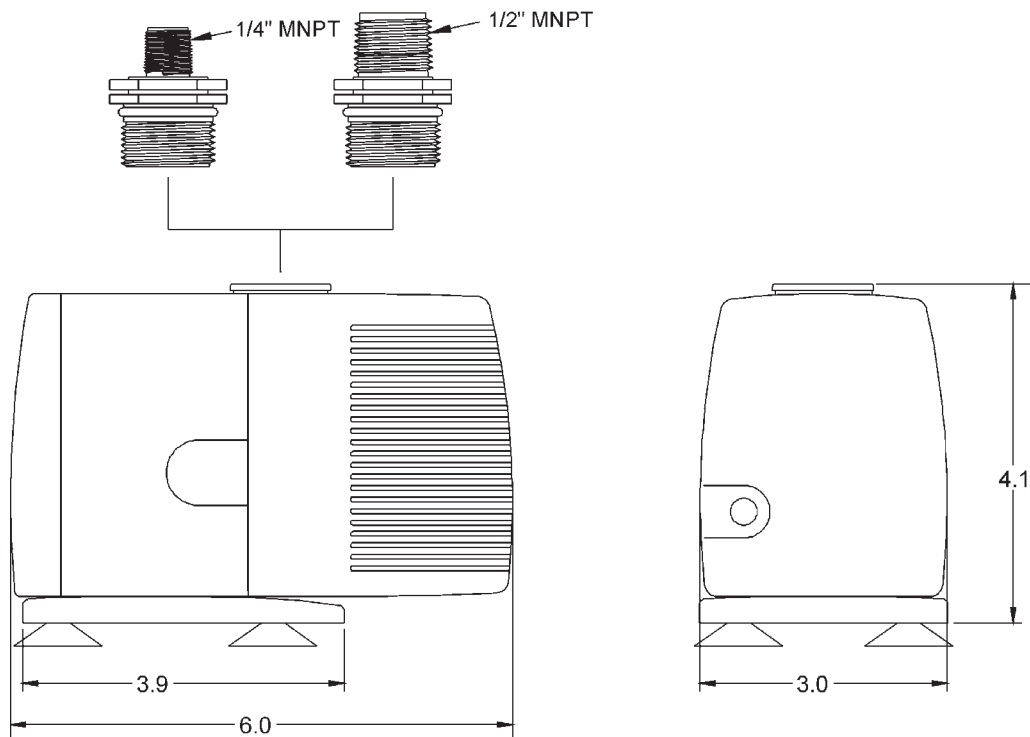
- Environmentally safe, oil-less
- Energy efficient
- Corrosion resistant body
- 15' Cord
- 9' maximum lift
- 35 watts
- 1/2" MNPT adaptor accepts 3/4" tubing
- Discharge adaptor accepts 1/2" I.D. tubing
- 1/4" MNPT adaptor accepts 1/2" tubing

Construction

- Motor — Wet-rotor (hysteresis) epoxy encapsulated
- Intermittent Liquid Temp. up to — 120°F
- Discharge — 1/2" MNPT
- Housing — ABS
- Cover — ABS
- Volute — ABS
- Impeller — POM
- Screen — ABS
- Motor Shaft — Ceramic

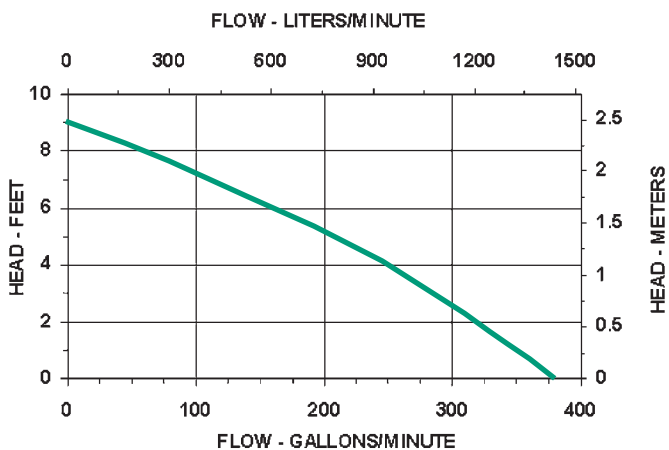
PondWorks® statuary and fountain pumps are designed to enhance your water gardening experience, providing you with beauty and serenity through the sights and sounds of a waterfall, stream or fountain spray nozzle. The mag drive pumps are designed to operate with minimal energy consumption, resulting in low operating costs.

PES-380-PW



Specifications

Model No.	Item No.	Discharge	Listings	Volts	Hertz	Amps	Watts	Performance (GPH @ Head)			Shut Off		Pwr. Cord (ft.)	Weight (lbs.)	Height	Length	Width
								0'	1'	4'	Feet	PSI					
PES-380-PW	566294	1/4" MNPT 1/2" MNPT	cULus	120	60	0.58	35	380	350	250	9	3.9	15	3.65			



PES-380-PW

Head (ft.)	Flow (GPH)	Head (m)	Flow (LPH)
0	380	0.0	1438
1	350	0.3	1325
4	250	1.2	946
6	160	1.8	606
8	60	2.4	227
9	0	2.7	0

For technical advice or service please take your pump into your local pump service center.
To order pump or parts or for pricing please go to the following links :

[Little Giant Pumps Home >>](#)

[Little Giant Pumps stock list >>](#)