

Little GIANT[®]

Pump Company

VCL-24 SERIES



Features

- Vertical type pump unit
- Leakproof, rustproof, ABS tank
- ABS switch cover and pump stand
- Galvanized steel tank cover
- Stainless Steel motor shaft
- 3/8" O.D. barbed discharge adapter
- Safety Switch included on "S" models
- 24' shut-off head
- UL/CSA listed
- Thermal overload protected

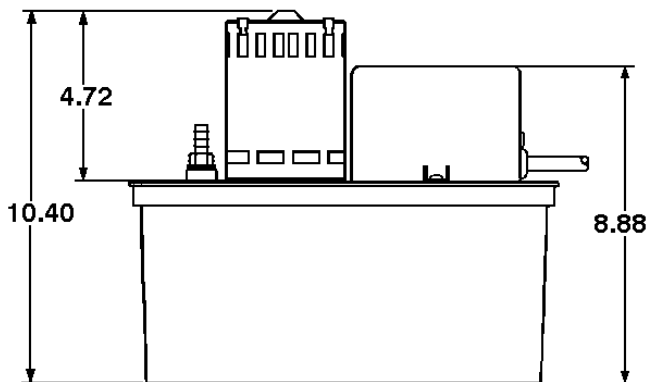
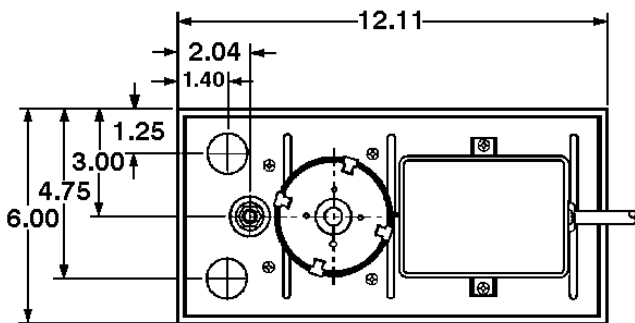
Construction

- Motor — 1/18 HP
- Intermittent Liquid Temp. up to — 120° F
- Discharge — 3/8" barbed
- Housing — N/A
- Cover — Galvanized steel
- Volute — ABS
- Impeller — Polypropylene
- Shaft Seal — N/A
- Screen — ABS

Large, 1 gallon, ABS plastic tank condensate unit. Pumps feature a vertical-type pump with stainless steel motor shaft, and galvanized steel tank cover. Discharge is a 3/8" O.D. barbed tubing adapter. Pump features a safety switch that can be connected to shut down the air conditioner condenser or wired to an alarm to warn of

Little Giant Pump Co.

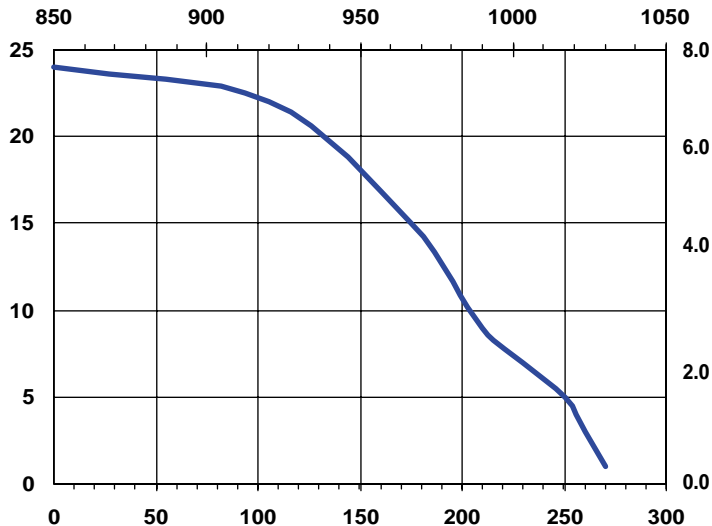
VCL-24 SERIES



Specifications

Model No.	Item No.	Discharge Size	Listing(s)	HP	Volts	Hertz	Amps	Watts	Performance (GPH @ Head)				Shut Off		Pwr. Cord (ft)	Weight (Lbs.)
									1'	3'	5'	9'	Feet	PSI		
VCL-24UL	553206	3/8" OD Barbed	UL/CSA	1/18	115	60	2.5	148	270	260	250	210	24	10.4	6	8.20
VCL-24ULS	553201	3/8" OD Barbed	UL/CSA	1/18	115	60	2.5	148	270	260	250	210	24	10.4	6	8.20
VCL-24ULS	553211	3/8" OD Barbed	UL/CSA	1/18	230	50/60	1.2	148	270	260	250	210	24	10.4	6	8.20

FLOW-LITERS/HOUR



Replacement Parts

Tank	153502
Cover, Tank	153220
Stand/Volute	153100
Cover, Volute	153110
Float/Switch Assy	153537
Impeller	153132
Safety Switch Assy	154713
Motor Assy	977230
Cover, Switch	153120
Adapter, 3/8"	153300
Seal Ring	924038

For technical advice or service please take your pump into your local pump service center.
To order pump or parts or for pricing please go to the following links :

[Little Giant Pumps Home >>](#)

[Little Giant Pumps stock list >>](#)