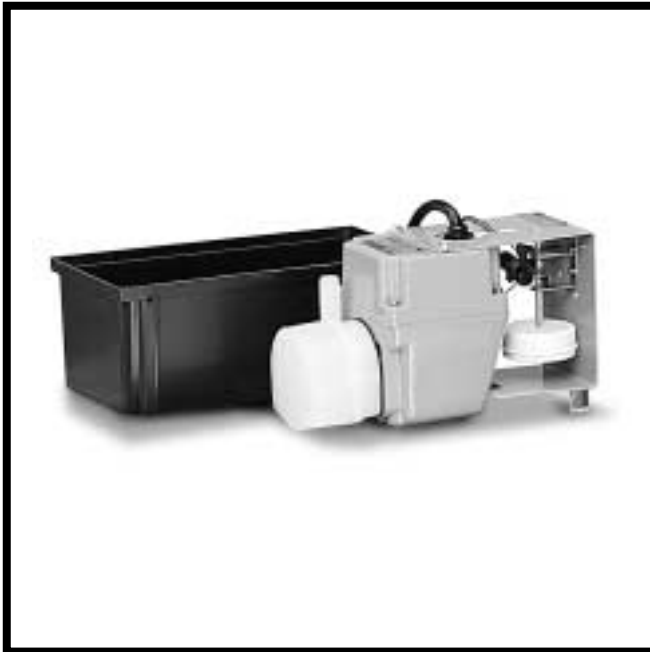


Little GIANT[®] Pump Company

2EC-SPT



Features

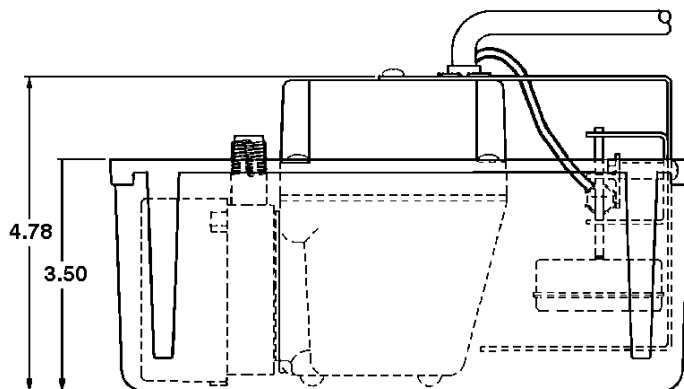
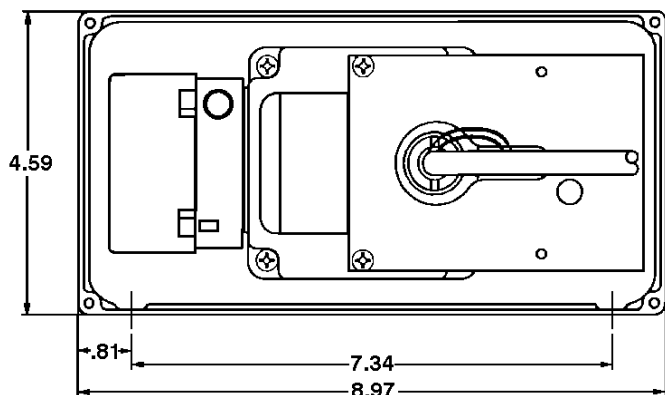
- Permanently lubricated
- Epoxy coated cast aluminum housing
- Automatic, in-pan design
- Leak proof, rust proof, ABS plastic tank
- 1/4" MNPT discharge
- 11.8' max lift
- 6' power cord

Construction

- Motor — 1/40 HP
- Intermittent Liquid Temp. up to — 120° F
- Intake — N/A
- Discharge — 1/4" MNPT
- Housing — Epoxy coated cast aluminum
- Cover — Epoxy coated cast aluminum
- Volute — Nylon
- Impeller — Nylon
- Shaft Seal — Nitrile
- Screen — Polyethylene

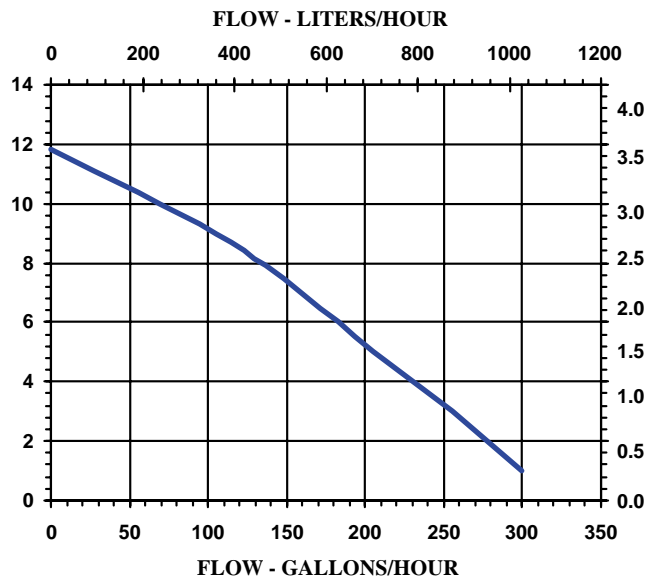
Little Giant Pump Co.

2EC-SPT



Specifications

Model No.	Item No.	Discharge		HP	Volts	Hertz	Amps	Watts	Performance (GPH @ Head)				Shut Off		Pwr. Cord (ft)	Weight (Lbs.)
		Size	Listing(s)						1'	3'	5'	10'	Feet	PSI		
2EC-SPT	551015	1/4" MNPT		1/40	115	60	1.7	100	300	255	205	70	11.8	5.1	6	6.25
2EC-SPT	551025	1/4" MNPT		1/40	230	50/60	0.7	100	300	255	205	70	11.8	5.1	6	6.25



Replacement Parts

Tank	150102
Volute	102377
Impeller	102470
Screen	102909
Gasket	102601

For technical advice or service please take your pump into your local pump service center.
To order pump or parts or for pricing please go to the following links :

[Little Giant Pumps Home >>](#)

[Little Giant Pumps stock list >>](#)