

Little GIANT[®] Pump Company

1 - ABS



Features

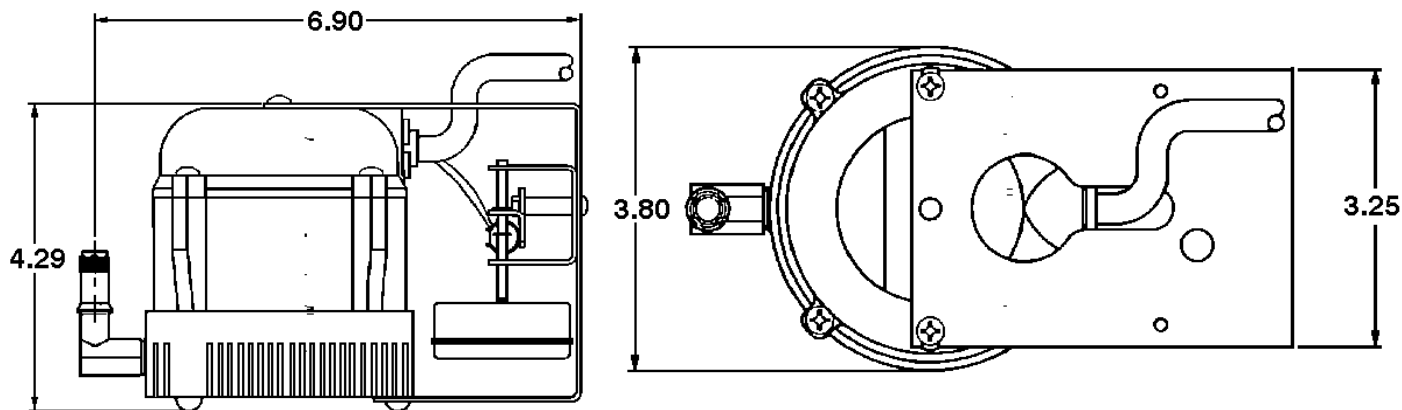
- Permanently lubricated
- Epoxy coated cast aluminum housing
- Automatic, in-pan design
- 1/4" MNPT discharge
- 10' max lift
- 6' power cord

Construction

- Motor — 1/150 HP
- Intermittent Liquid Temp. up to — 120° F
- Intake — N/A
- Discharge — 1/4" MNPT
- Housing — Epoxy coated cast aluminum
- Cover — Epoxy coated cast aluminum
- Volute — Nylon
- Impeller — Nylon
- Shaft Seal — Nitrile
- Screen — Polyethylene

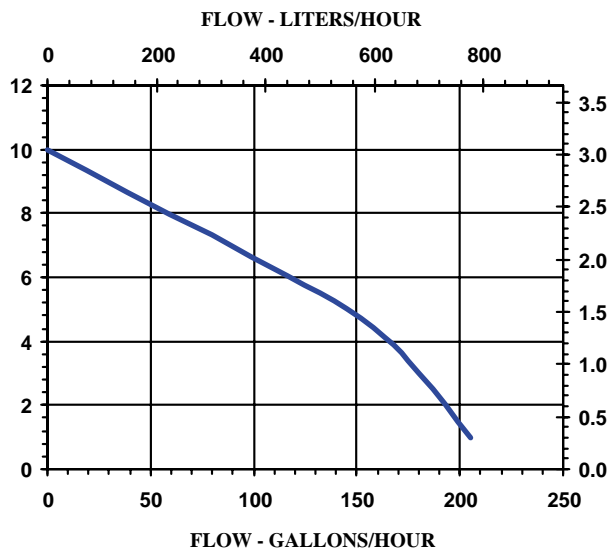
Little Giant Pump Co.

1-ABS



Specifications

Model No.	Item No.	Discharge		HP	Volts	Hertz	Amps	Watts	Performance (GPH @ Head)				Shut Off		Pwr. Cord (ft)	Weight (Lbs.)
		Size	Listing(s)						1'	3'	5'	10'	Feet	PSI		
1-ABS	550515	1/4" MNPT		1/150	115	60	1.1	70	205	180	145	0	10	4.3	6	4.33
1-ABS	550525	1/4" MNPT		1/150	230	50/60	0.6	70	205	180	145	0	10	4.3	6	4.33



Replacement Parts

Volute	116335
Impeller	116437
Seal Ring	928007
Screen	101901

For technical advice or service please take your pump into your local pump service center.
To order pump or parts or for pricing please go to the following links :

[Little Giant Pumps Home >>](#)

[Little Giant Pumps stock list >>](#)