

Little GIANT[®]

Pump Company

P-AAA SERIES



Features

- Corrosion resistant nylon body
- Oil-filled motor
- 4.6' maximum lift
- 30 watts
- 1/4" MNPT discharge
- Impedance protected
- For submersible use only

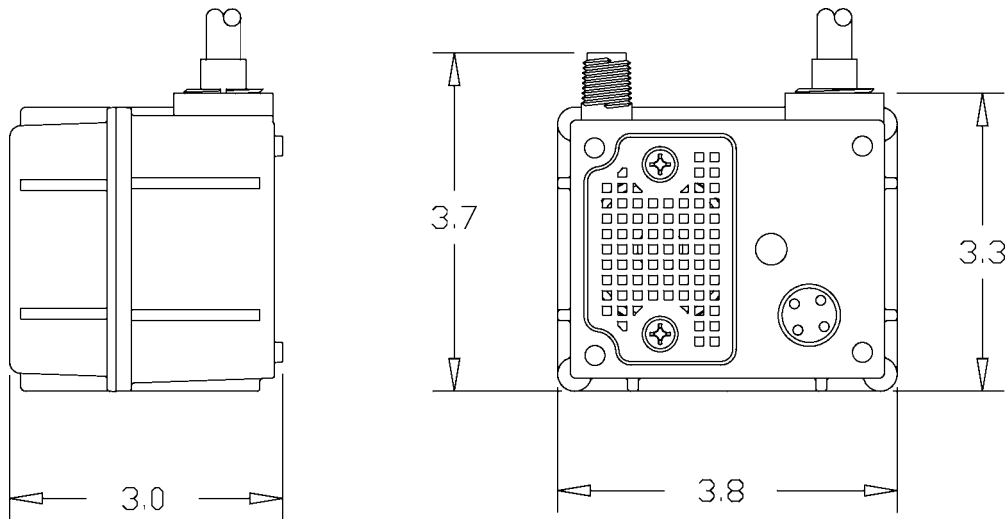
Construction

- Motor — 1/160 HP Oil Filled
- Intermittent Liquid Temp up to — 120° F
- Intake — N/A
- Discharge — 1/4" MNPT
- Housing — Glass-filled nylon
- Cover — Glass-filled nylon
- Volute — Glass-filled nylon
- Impeller — Glass-filled nylon
- Shaft Seal — Nitrile
- Screen — Glass-filled nylon

Small submersible oil filled pump with corrosion resistant nylon housing. For commercial, industrial and home applications including statuary fountains, water displays, air conditioners, machine tool coolants, and many other applications where liquid must be transferred or recirculated. This compact 120 GPH pump features a 1/4" MNPT

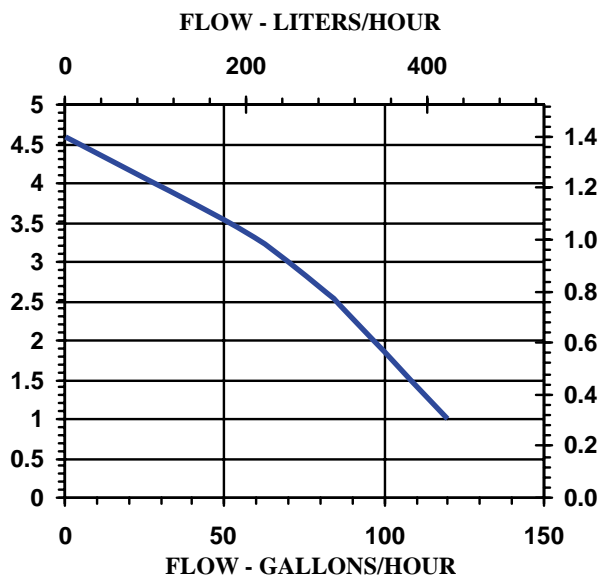
Little Giant Pump Co.

P-AAA SERIES



Specifications

Model No.	Item No.	Discharge Size	Listing(s)	HP	Volts	Hertz	Amps	Watts	Performance (GPH @ Head)		Shut Off			Weight (Lbs.)
									1'	3'	Feet	PSI	Pwr. Cord (ft)	
P-AAA	523003	1/4" MNPT	UL	1/160	115	60	0.5	30	120	70	4.6	2.0	6	3.00
P-AAA	523500	1/4" MNPT		1/160	127	60	0.5	30	120	70	4.6	2.0	6	3.00
P-AAA	523086	1/4" MNPT	UL/CSA	1/160	115	60	0.5	30	120	70	4.6	2.0	10	3.17
P-AAA	523112	1/4" MNPT		1/160	230	50/60	.4/3	30	120	70	4.6	2.0	12	3.17



Replacement Parts

Screen	123145
Plate	123150
Impeller	123030
O-ring	924020
Elbow	943076

For technical advice or service please take your pump into your local pump service center.
To order pump or parts or for pricing please go to the following links :

[Little Giant Pumps Home >>](#)

[Little Giant Pumps stock list >>](#)