

# Little GIANT<sup>®</sup> Pump Company

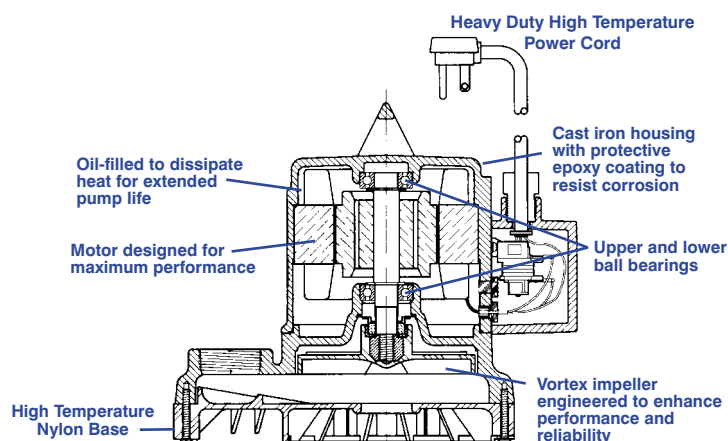
**Eliminator Series  
Sump/Effluent Pumps**

## HI-TEMPERATURE 10E SERIES



### Features

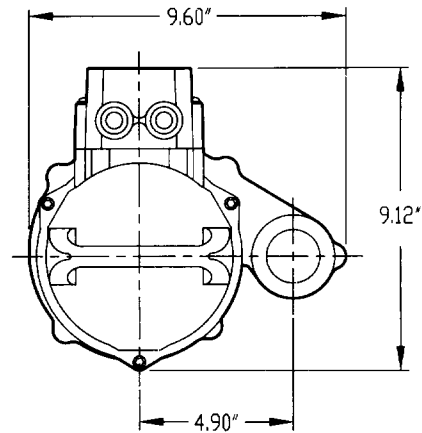
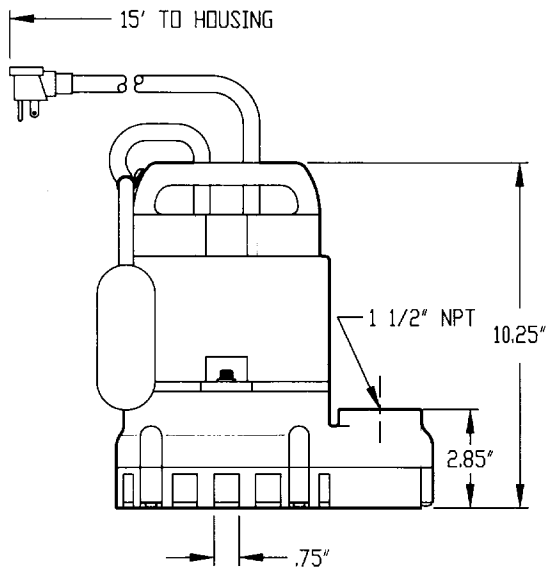
- Handles liquids up to 200°F
- Handles liquids and solid waste materials up to 3/4" diameter
- Cast iron pump housing with protective epoxy coating for corrosion and rust resistance
- Oil-filled motor housing for lifetime lubrication and rapid heat dissipation
- Stainless steel fasteners
- Mechanical seals (stainless steel spring, Viton parts, carbon and ni-resist faces)
- Thermal overload protection
- Manual and Automatic models
- Automatic operation has 10 to 12 "On" level and 2 to 4 "Off" level range with integral mercury float switch
- All 115 volt models are CSA listed.



This high temperature version of the 10E Sump/Effluent Pump is capable of pumping up to 200°F liquid. Uses include

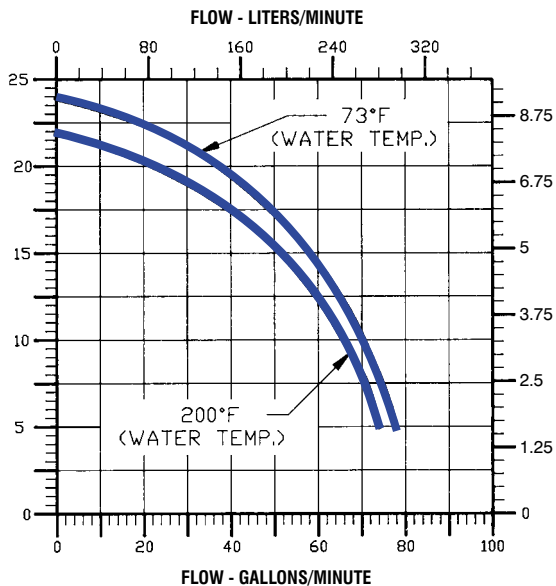
# Little Giant Pump Co.

## HI-TEMPERATURE 10E SERIES



### Specifications

| MODEL NO.     | ITEM NO. | LISTINGS | HP  | VOLTS/ Hz | SOLIDS SIZE (Dia. In.) | RUNNING AMPS/WATTS | WATER TEMPS | PERFORMANCE (GPM @ HEAD) |     |     |     | SHUTOFF |        | PWR. CRD. (Ft.) | WEIGHT (Lbs.) | DIMENSIONS (H x L x W in.) |
|---------------|----------|----------|-----|-----------|------------------------|--------------------|-------------|--------------------------|-----|-----|-----|---------|--------|-----------------|---------------|----------------------------|
|               |          |          |     |           |                        |                    |             | 5'                       | 10' | 15' | 20' | (Ft.)   | P.S.I. |                 |               |                            |
| HT-10E-CIM    | 511600   | CSA      | 1/2 | 115       | 3/4                    | 10.5/900           | 73° F       | 80                       | 70  | 59  | 37  | 24      | 10.4   | 15              | 37            | 10.25 x 9.6 x 9.12         |
|               |          |          |     |           |                        |                    | 200° F      | 75                       | 67  | 52  | 22  | 22      | 9.5    |                 |               |                            |
| HT-10E-CIA-FS | 511700   | CSA      | 1/2 | 115       | 3/4                    | 10.5/900           | 73° F       | 80                       | 70  | 59  | 37  | 24      | 10.4   | 15              | 37            | 10.25 x 9.6 x 9.12         |
|               |          |          |     |           |                        |                    | 200° F      | 75                       | 67  | 52  | 22  | 22      | 9.5    |                 |               |                            |



### Construction

|                       |  |
|-----------------------|--|
| Motor housing         | Epoxy-coated cast iron                           |
| Impeller material     | Nylon  |
| Impeller type         | Vortex   |
| Volute                | Epoxy-coated cast iron                           |
| Power cord            | 15' 16-3 SJOW-A, Super Ultron II                 |
| Mechanical shaft seal | Viton, Stainless Steel, Carbon & Ni-Resist Faces |
| Fasteners             | Stainless steel                                  |
| Shaft                 | Stainless steel                                  |
| Bearings              | Upper and lower ball bearings                    |

---

For technical advice or service please take your pump into your local pump service center.  
To order pump or parts or for pricing please go to the following links :

[Little Giant Pumps Home >>](#)

[Little Giant Pumps stock list >>](#)