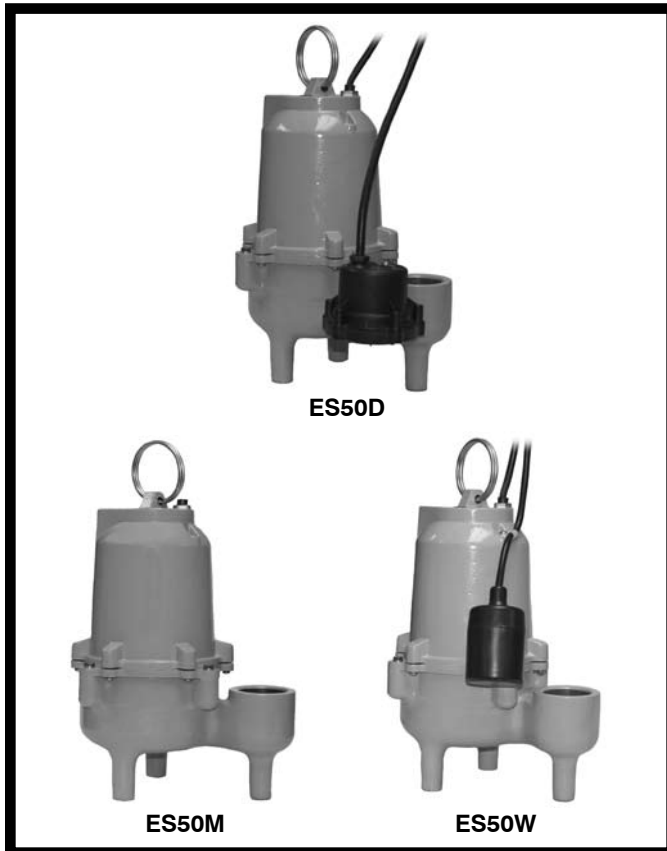


Little GIANT®

ES50 MODELS

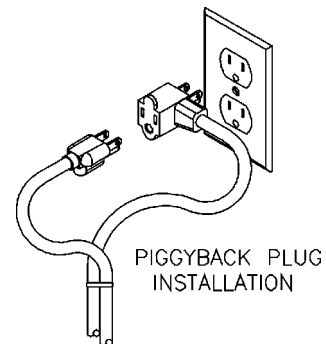


Features

- Powerful, 1/2 HP Permanent Split Capacitor (PSC) motor for high starting and running torque, with low amp draw to conserve electrical energy
- Recessed, vortex impeller made of tough, engineered composite material to reduce clogging; will pass 2" spherical solids
- Bearings: Upper and lower ball bearings for extended motor life
- Mechanical seal (stainless steel spring, nitrile parts, carbon and ceramic faces) to assure maximum protection against pump failure
- Rugged cast iron pump housing with epoxy coating for corrosion resistance
- Automatic operation:
 - Diaphragm pressure switch
 - Wide angle float switch
- Oil-filled motor housing for lifetime bearing lubrication and maximum heat dissipation
- Stainless steel hardware to protect against corrosion
- Thermal overload protection

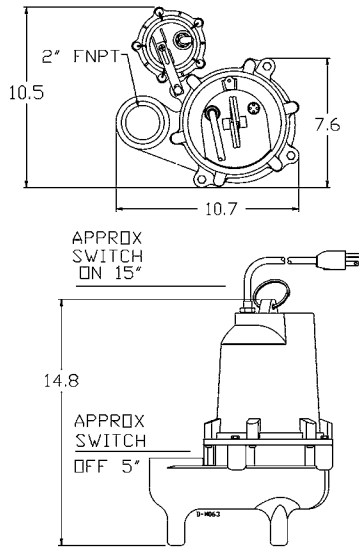


The new ES50 models are energy-saving, high performance, fully submersible sewage/effluent/high-capacity sump pumps, designed for the professional plumbing contractor. The powerful 1/2 HP PSC motor delivers 85 GPM @ 10' TDH, while drawing only 11.4 amps @ 115VAC, conserving electrical energy. The ES50 models are designed, manufactured and tested in accordance with Little Giant's demanding standards, and are backed by Little Giant's premier customer service.

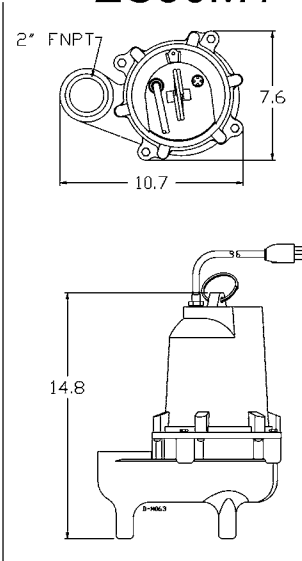


ES50 MODELS

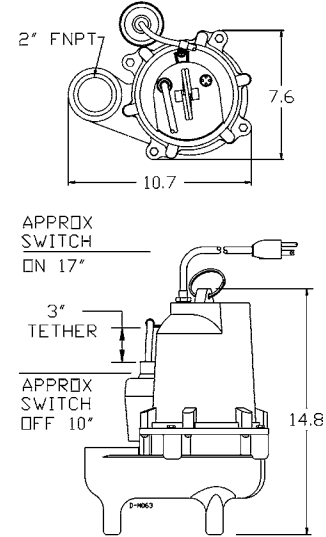
ES50D1



ES50M1



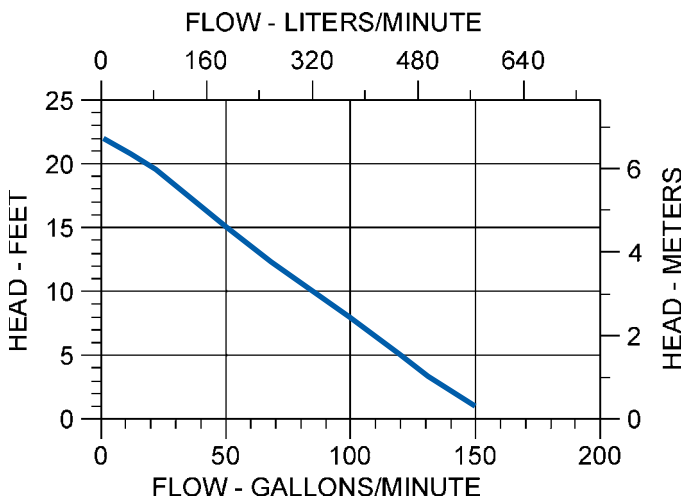
ES50W1



Specifications

Submersible Sewage Pumps

Model	Item	Listing	HP	Volts/ Hz	Discharge (FNPT)	Solids Handling	Running Amps	Dimensions (Inches)			Shut Off	PSI	Cord Length	Weight	Dimensions (Inches)		
								5'	10'	15'					H	L	W
ES50M1-10	511460	cCSAus	1/2	115/60	2"	2"	11.4	120	85	48	22	9.5	10	53	14.8	12	9.8
ES50M1-20	511461	cCSAus	1/2	115/60	2"	2"	11.4	120	85	48	22	9.5	20	54	14.8	12	9.8
ES50M2-20	511481	cCSAus	1/2	230/60	2"	2"	5.7	120	85	48	22	9.5	20	54	14.8	12	9.8
ES50W1-10	511540	cCSAus	1/2	115/60	2"	2"	11.4	120	85	48	22	9.5	10	53	14.8	12	9.8
ES50W1-20	511541	cCSAus	1/2	115/60	2"	2"	11.4	120	85	48	22	9.5	20	55	14.8	12	9.8
ES50W2-20	511581	cCSAus	1/2	230/60	2"	2"	5.7	120	85	48	22	9.5	20	55	14.8	12	9.8
ES50D1-10	511560	cCSAus	1/2	115/60	2"	2"	11.4	120	85	48	22	9.5	10	54	14.8	12	9.8
ES50D1-20	511561	cCSAus	1/2	115/60	2"	2"	11.4	120	85	48	22	9.5	20	55	14.8	12	9.8
ES50D2-20	511582	cCSAus	1/2	230/60	2"	2"	5.7	120	85	48	22	9.5	20	55	14.8	12	9.8



Construction

Motor Housing	Epoxy coated cast iron
Impeller Material	Engineered composite
Impeller Type	Recessed, vortex
Volute	Epoxy coated cast iron
Power Cord	16/3 SJTW-A
Mechanical Shaft Seal	Nitrile with carbon and ceramic faces
Fasteners	Stainless steel
Shaft	Cold rolled steel
Bearings	Upper and lower ball bearings