

Little GIANT[®] Pump Company

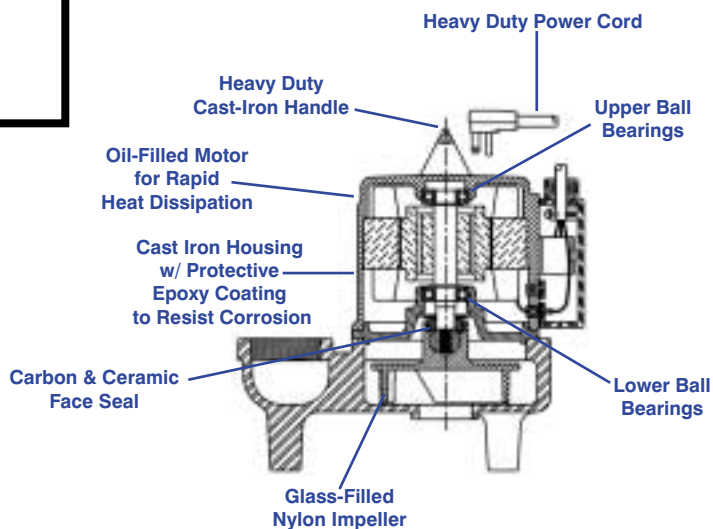
**Eliminator Series
Wastewater Pumps**

105H SERIES



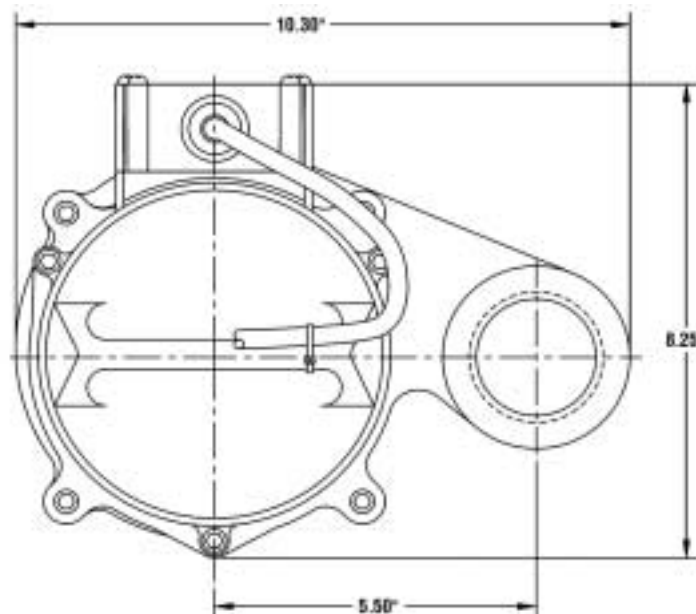
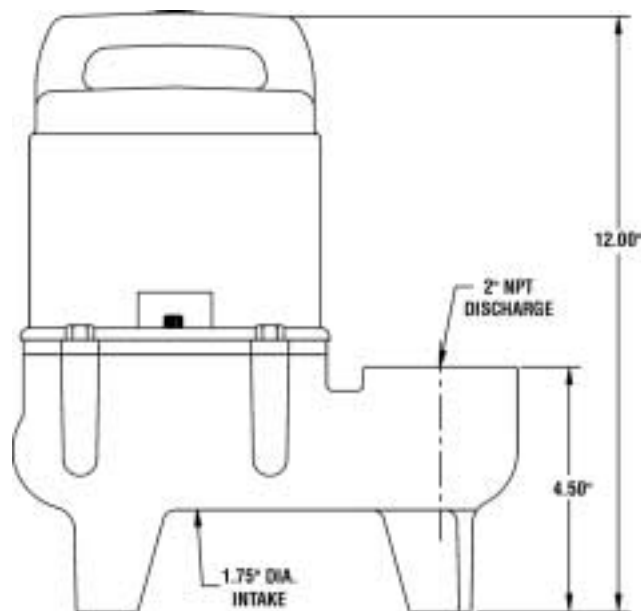
Features

- Handles liquids and solid waste materials up to 1¼" diameter
- Cast iron pump housing and volute with protective epoxy coating for corrosion and rust resistance
- Oil-filled motor housing for lifetime lubrication and rapid heat dissipation
- Stainless steel fasteners
- Mechanical seals (stainless steel spring, nitrile parts, carbon and ceramic faces)
- Thermal overload protection
- Manual and Automatic models
- Automatic operation has 9 to 14 "On" level and 2 to 6 "Off" level range with piggyback mechanical float switch
- All models are UL/CSA listed



Little Giant Pump Co.

10SH SERIES WASTEWATER PUMP

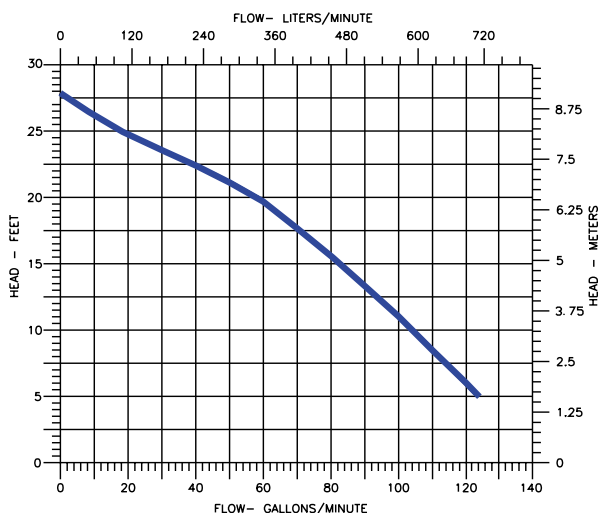


MODEL NO.	ITEM NO.	LISTING	HP	VOLTS	SOLIDS SIZE (Dia.In.)	RUNNING AMPS/WATTS	PERFORMANCE (GPM @ HEAD)				SHUT OFF (Ft.)	P.S.I.	PWR. CRD. (Ft.)	WEIGHT (Lbs.)	DIMENSIONS (H x L x W In.)
							10'	15'	20'	25'					
10SH-CIM	511420	UL/CSA	1/2	115	1-1/4	11/900	100	80	55	20	28	12.1	15	44	12.00 x 10.3 x 8.25
10SH-CIM	511480	UL/CSA	1/2	208-240	1-1/4	5.5/900	100	80	55	20	28	12.1	15	41.5	12.00 x 10.3 x 8.25
10SH-CIA-RFS	511520	UL/CSA	1/2	115	1-1/4	11/900	100	80	55	20	28	12.1	15	41.5	12.00 x 10.3 x 8.25
10SH-CIA-RFS	511525	UL/CSA	1/2	115	1-1/4	11/900	100	80	55	20	28	12.1	25	46	12.00 x 10.3 x 8.25

115V Models are 60 Hz.

208-240 Models are 50/60 Hz.

10SH SERIES PUMP PERFORMANCE CURVE



Construction

Motor Housing	Epoxy Coated Cast Iron
Impeller Material	Glass Filled Nylon
Impeller Type	Vortex
Volute	Epoxy Coated Cast Iron
Power Cord	SJTW/A
Mechanical Shaft Seal	Nitrile with carbon and ceramic faces
Fasteners	Stainless Steel
Shaft	Steel
Bearings	Upper and lower ball bearings

For technical advice or service please take your pump into your local pump service center.
To order pump or parts or for pricing please go to the following links :

[Little Giant Pumps Home >>](#)

[Little Giant Pumps stock list >>](#)