

Little GIANT[®] Pump Company

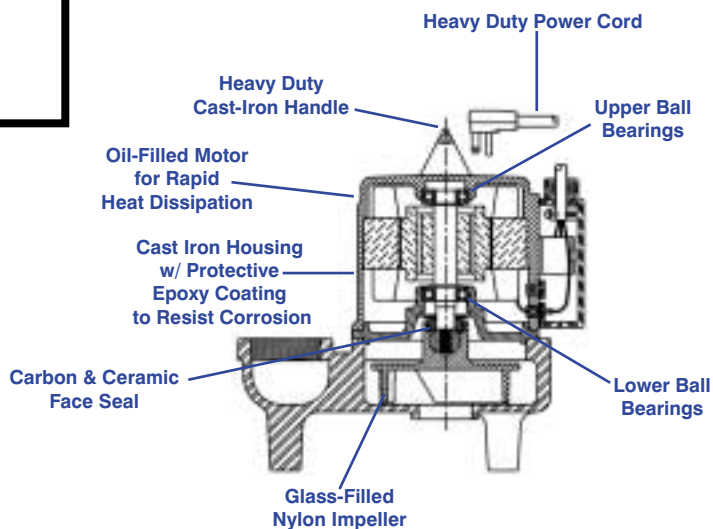
**Eliminator Series
Wastewater Pumps**

105H SERIES



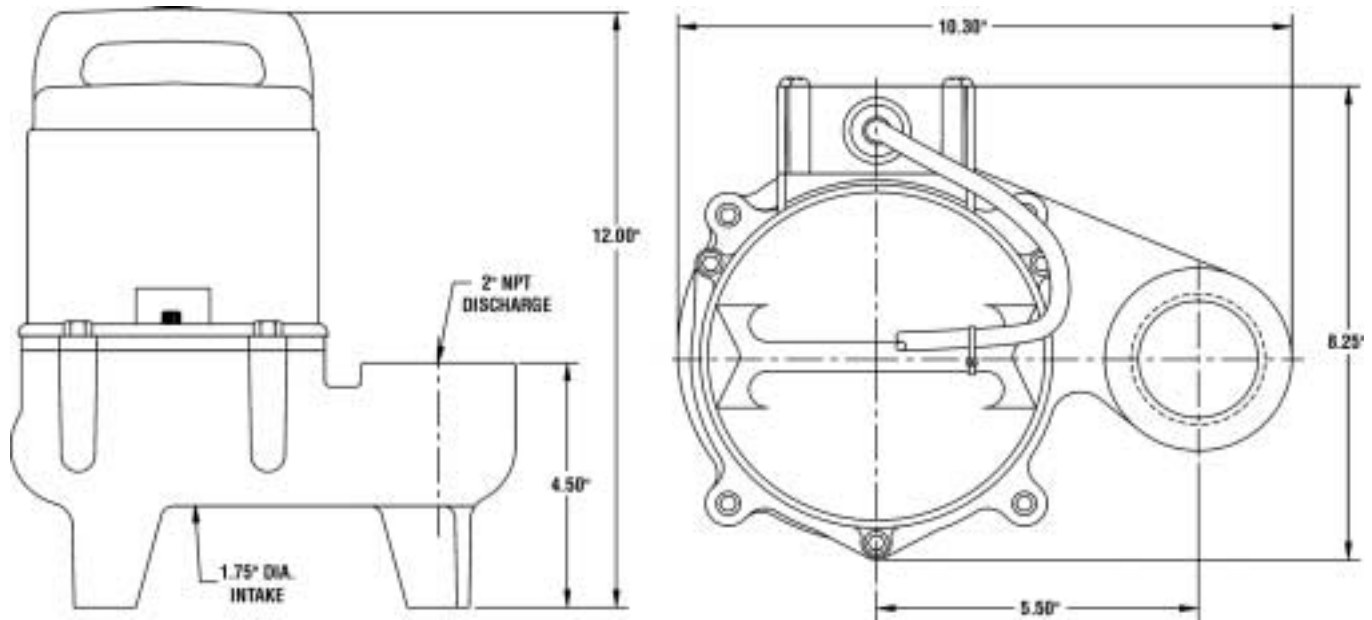
Features

- Handles liquids and solid waste materials up to 1¼" diameter
- Cast iron pump housing and volute with protective epoxy coating for corrosion and rust resistance
- Oil-filled motor housing for lifetime lubrication and rapid heat dissipation
- Stainless steel fasteners
- Mechanical seals (stainless steel spring, nitrile parts, carbon and ceramic faces)
- Thermal overload protection
- Manual and Automatic models
- Automatic operation has 9 to 14 "On" level and 2 to 6 "Off" level range with piggyback mechanical float switch
- All models are UL/CSA listed



Little Giant Pump Co.

10SH SERIES WASTEWATER PUMP

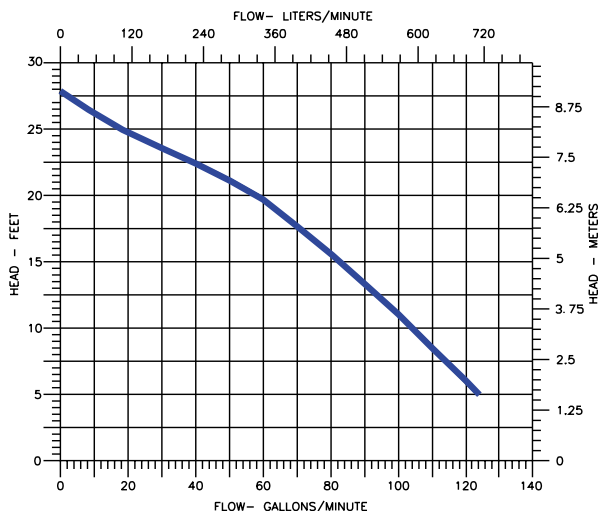


| MODEL NO. | ITEM NO. | LISTING | HP | VOLTS | SOLIDS SIZE (Dia.In.) | RUNNING AMPS/WATTS | PERFORMANCE (GPM @ HEAD) | | | | SHUT OFF (Ft.) | P.S.I. | PWR. CRD. (Ft.) | WEIGHT (Lbs.) | DIMENSIONS (H x L x W In.) |
|--------------|----------|---------|-----|---------|-----------------------|--------------------|--------------------------|-----|-----|-----|----------------|--------|-----------------|---------------|----------------------------|
| | | | | | | | 10' | 15' | 20' | 25' | | | | | |
| 10SH-CIM | 511420 | UL/CSA | 1/2 | 115 | 1-1/4 | 11/900 | 100 | 80 | 55 | 20 | 28 | 12.1 | 15 | 44 | 12.00 x 10.3 x 8.25 |
| 10SH-CIM | 511480 | UL/CSA | 1/2 | 208-240 | 1-1/4 | 5.5/900 | 100 | 80 | 55 | 20 | 28 | 12.1 | 15 | 41.5 | 12.00 x 10.3 x 8.25 |
| 10SH-CIA-RFS | 511520 | UL/CSA | 1/2 | 115 | 1-1/4 | 11/900 | 100 | 80 | 55 | 20 | 28 | 12.1 | 15 | 41.5 | 12.00 x 10.3 x 8.25 |
| 10SH-CIA-RFS | 511525 | UL/CSA | 1/2 | 115 | 1-1/4 | 11/900 | 100 | 80 | 55 | 20 | 28 | 12.1 | 25 | 46 | 12.00 x 10.3 x 8.25 |

115V Models are 60 Hz.

208-240 Models are 50/60 Hz.

10SH SERIES PUMP PERFORMANCE CURVE



Construction

| | |
|-----------------------|---------------------------------------|
| Motor Housing | Epoxy Coated Cast Iron |
| Impeller Material | Glass Filled Nylon |
| Impeller Type | Vortex |
| Volute | Epoxy Coated Cast Iron |
| Power Cord | SJTW/A |
| Mechanical Shaft Seal | Nitrile with carbon and ceramic faces |
| Fasteners | Stainless Steel |
| Shaft | Steel |
| Bearings | Upper and lower ball bearings |

For technical advice or service please take your pump into your local pump service center.
To order pump or parts or for pricing please go to the following links :

[Little Giant Pumps Home >>](#)

[Little Giant Pumps stock list >>](#)