

Little GIANT[®] Pump Company

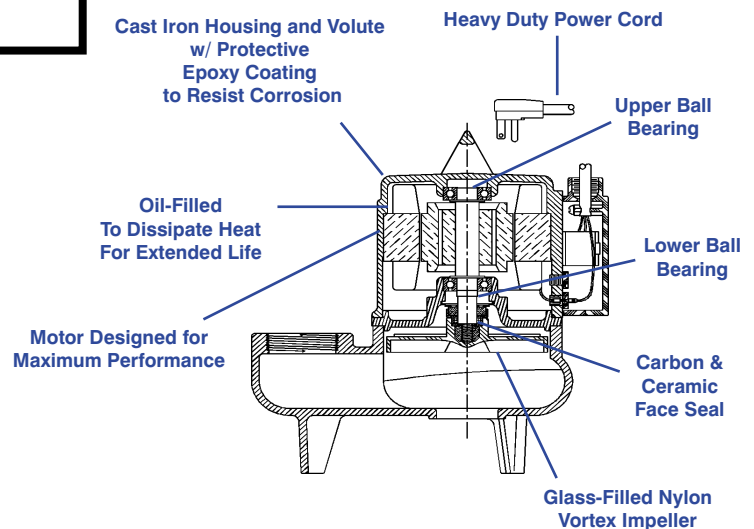
Eliminator Series Sewage Ejector Pumps

10S SERIES



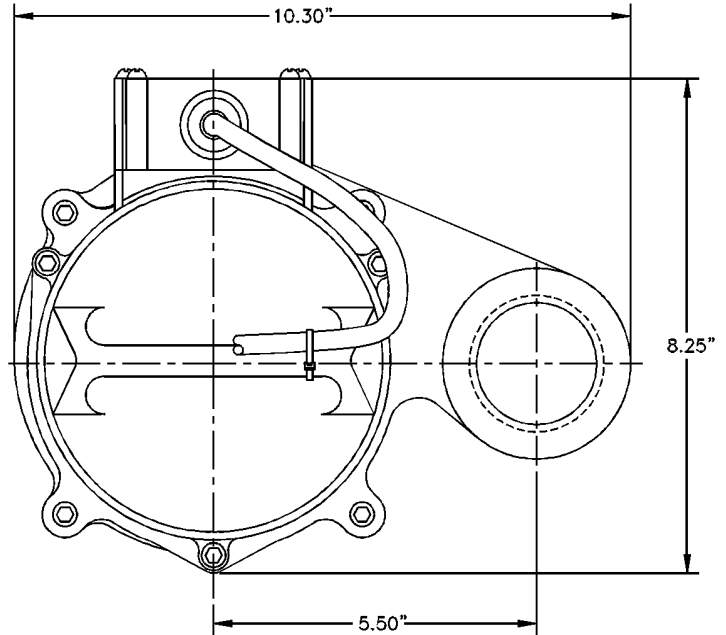
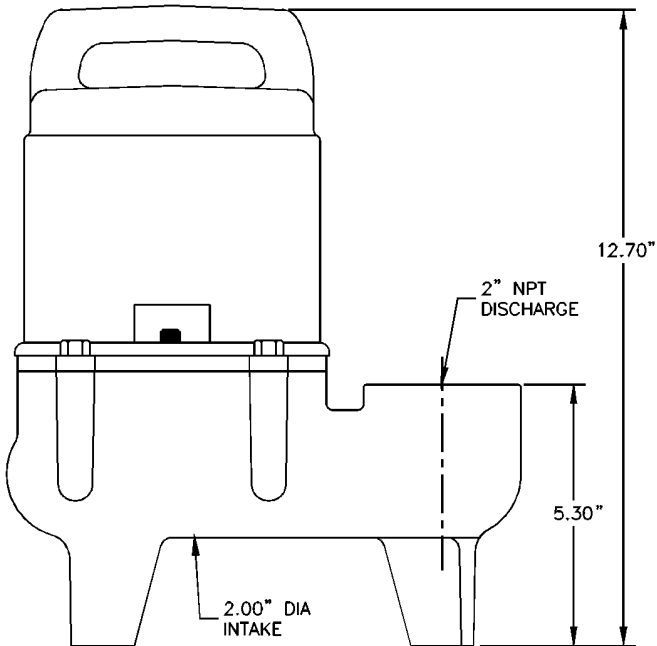
Features

- Handles liquids and solid waste materials up to 2" diameter.
- Cast iron pump housing and volute with protective epoxy coating for corrosion and rust resistance
- Oil-filled motor housing for lifetime lubrication and rapid heat dissipation
- Stainless steel fasteners
- Mechanical seals (stainless steel spring, nitrile parts, carbon and ceramic faces)
- Thermal overload protection
- Manual and Automatic models
- Automatic operation has 14 to 8 "On" level and 8 to 12 "Off" level range with piggyback mechanical float switch
- All models are UL/CSA listed.



Little Giant Pump Co.

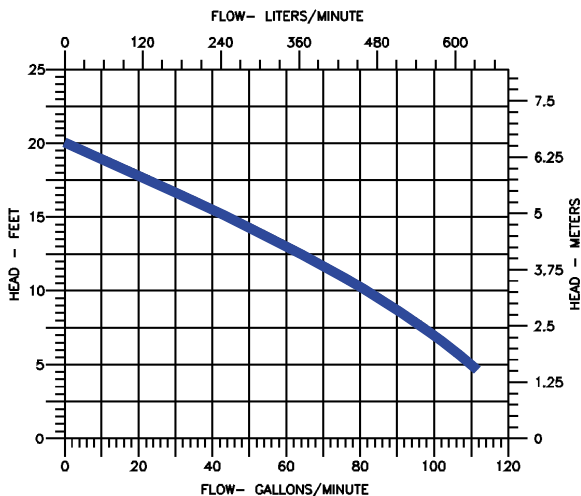
10S SERIES SEWAGE EJECTOR PUMP



Specifications

MODEL NO.	ITEM NO.	LISTING	HP	VOLTS	SOLIDS SIZE (Dia. In.)	RUNNING AMPS/WATTS	PERFORMANCE (GPM @ HEAD)			SHUTOFF (Ft.)	PWR. CRD. (Ft.)	WEIGHT (Lbs.)	DIMENSIONS (H x L x W in.)	
							5'	10'	15'					
10S-CIM	511400	UL/CSA	1/2	115	2	12/1000	110	85	45	20	8.7	15	47	12.70 x 10.3x 8.25
10S-CIM	511501	UL/CSA	1/2	127	2	12/1000	150	100	54	20	8.7	15	44	12.70 x 10.3x 8.3
10S-CIM*	511450	UL/CSA	1/2	115	2	12/1000	110	85	45	20	8.7	15	49	12.70 x 10.3x 8.25
10S-CIM	511475	UL/CSA	1/2	208/230	2	6.6/1100	110	85	45	20	8.7	15	47	12.70 x 10.3x 8.25

* 3 inch Discharge



Construction

Motor Housing	Epoxy coated cast iron
Impeller Material	Nylon
Impeller Type	Vortex
Volute	Epoxy coated cast iron
Power Cord	SJTW
Mechanical Shaft Seal	Nitrile with carbon and ceramic faces
Fasteners	Stainless steel
Shaft	Steel
Bearings	Upper and lower ball bearings

For technical advice or service please take your pump into your local pump service center.
To order pump or parts or for pricing please go to the following links :

[Little Giant Pumps Home >>](#)

[Little Giant Pumps stock list >>](#)