

# Little GIANT<sup>®</sup> Pump Company

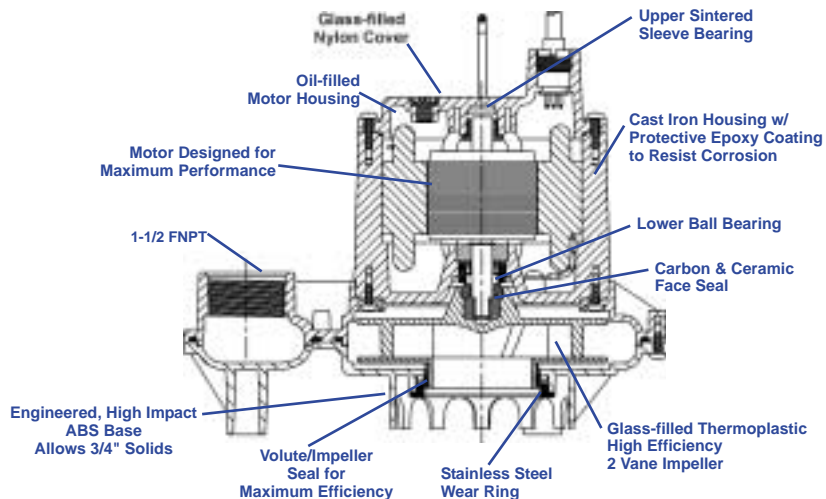
## Eliminator Series Sump/Effluent Pumps

### 9EH SERIES



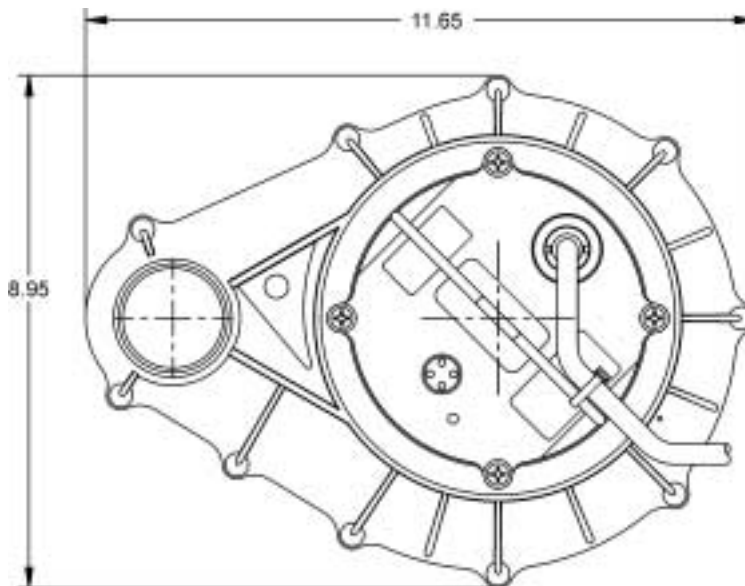
#### Features

- Handles liquids and solid waste materials up to 3/4" diameter.
- Cast iron pump housing with protective epoxy coating for corrosion resistance
- Oil-filled motor housing for lifetime lubrication and rapid heat dissipation
- Stainless steel screws, bolts and handle and seal assembly
- Mechanical seals (stainless steel spring, nitrile parts, carbon and ceramic faces)
- Bearings: Upper Sintered Sleeve Bearing and Lower Ball Bearing
- Thermal overload protection
- Manual and Automatic models
- Automatic operation has 9 to 14 "On" level and 2 to 6 "Off" level range with Piggyback mechanical float switch.



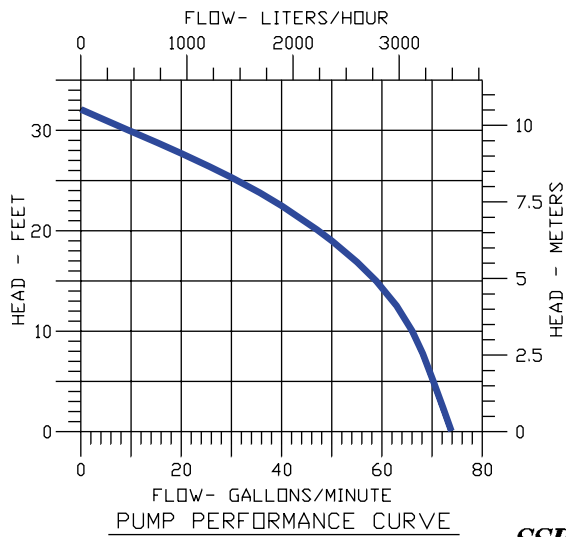
# Little Giant Pump Co.

## 9EH SERIES SUMP/EFFLUENT PUMP



### Specifications

| MODEL NO.   | CAT. NO. | LISTING | HP   | VOLTS | SOLIDS SIZE (Dia. In.) | RUNNING AMPS/WATTS | PERFORMANCE (GPM @ HEAD) |     |     |     | SHUTOFF (Ft.) | P.S.I. | PWR. CRD. (Ft.) | WEIGHT (Lbs.) | DIMENSIONS (H x L x W) |
|-------------|----------|---------|------|-------|------------------------|--------------------|--------------------------|-----|-----|-----|---------------|--------|-----------------|---------------|------------------------|
|             |          |         |      |       |                        |                    | 5'                       | 10' | 15' | 20' |               |        |                 |               |                        |
| 9EH-CIM     | 509330   | UL/CSA  | 4/10 | 115   | 3/4                    | 13.0 1000          | 71                       | 68  | 60  | 49  | 32            | 13.8   | 20'             | 27            | 9.11 x 11.64 x 8.94    |
| 9EH-CIM     | 509340   | UL/CSA  | 4/10 | 230   | 3/4                    | 6.5 1000           | 71                       | 68  | 60  | 49  | 32            | 13.8   | 20'             | 27            | 9.11 x 11.64 x 8.94    |
| 9EH-CIA-RFS | 509350   | UL/CSA  | 4/10 | 115   | 3/4                    | 13.0 1000          | 71                       | 68  | 60  | 49  | 32            | 13.8   | 20'             | 27            | 9.11 x 11.64 x 8.94    |
| 9EH-CIA-RFS | 509360   | UL/CSA  | 4/10 | 230   | 3/4                    | 6.5 1000           | 71                       | 68  | 60  | 49  | 32            | 13.8   | 20'             | 27            | 9.11 x 11.64 x 8.94    |



### Construction

|                       |                                       |
|-----------------------|---------------------------------------|
| Motor Housing         | Epoxy Coated Cast Iron                |
| Impeller Material     | Poly Carbonate                        |
| Impeller Type         | Closed Vane                           |
| Volute                | ABS                                   |
| Power Cord            | SJTW-A                                |
| Mechanical Shaft Seal | Nitrile with carbon and ceramic faces |
| Fasteners             | Stainless Steel                       |
| Shaft                 | Stainless Steel                       |
| Bearings              | Upper Sleeve and Lower Ball Bearings  |

---

For technical advice or service please take your pump into your local pump service center.  
To order pump or parts or for pricing please go to the following links :

[Little Giant Pumps Home >>](#)

[Little Giant Pumps stock list >>](#)