

# Little GIANT®

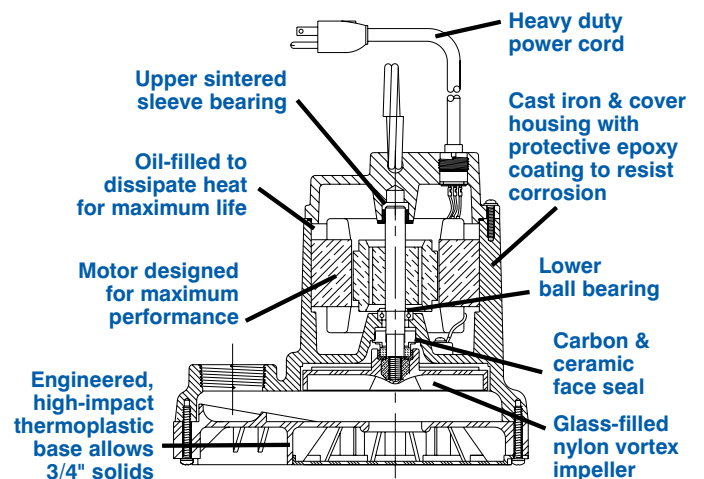
## 9E-CIA-VDS



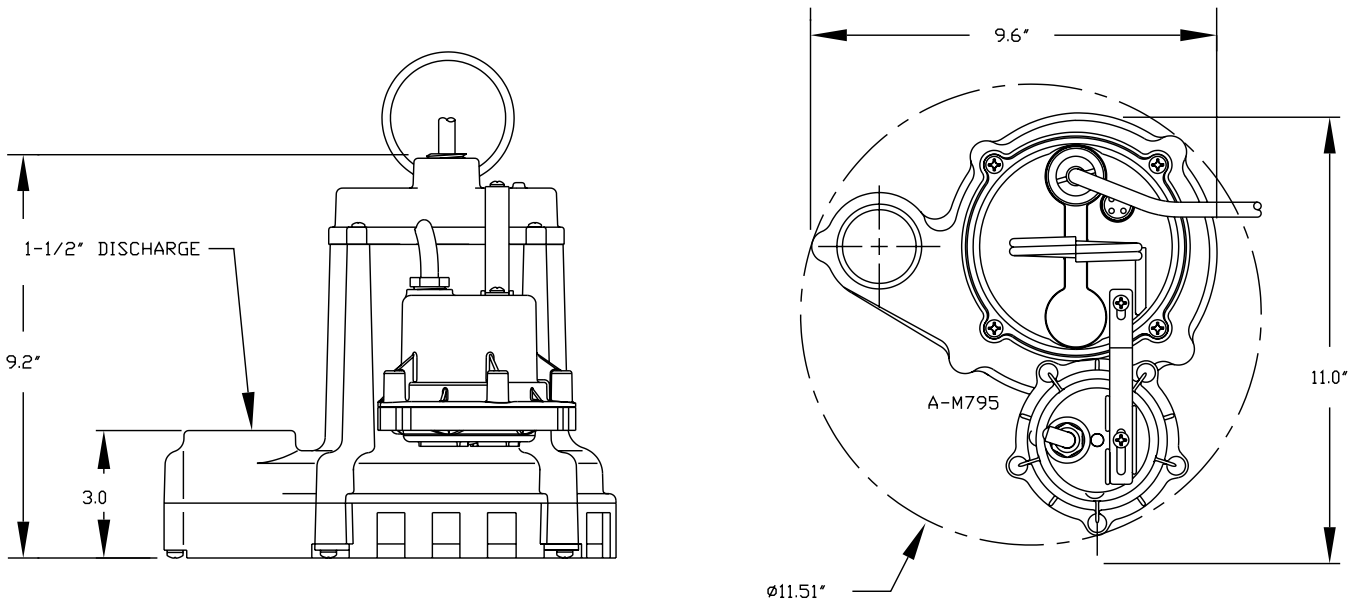
### Features

- Handles liquids and solid waste materials up to 3/4" diameter.
- Cast iron pump housing and cover with protective epoxy coating for corrosion resistance
- Oil-filled motor housing for lifetime lubrication and rapid heat dissipation
- Stainless steel screws, bolts and handle
- Mechanical seals (stainless steel spring, nitrile parts, carbon and ceramic faces)
- Bearings: lower ball bearing, upper sintered sleeve
- Thermal overload protection
- Automatic operation: "On" level approximately 11", "Off" level approximately 5" (pressure switch is non-adjustable)
- Piggyback vertical diaphragm switch

The Model 9E-CIA-VDS De-watering and Effluent pumps are for residential and light to medium commercial use. Pumps feature a 1-1/2" discharge with a maximum head of 23' and ABS base.



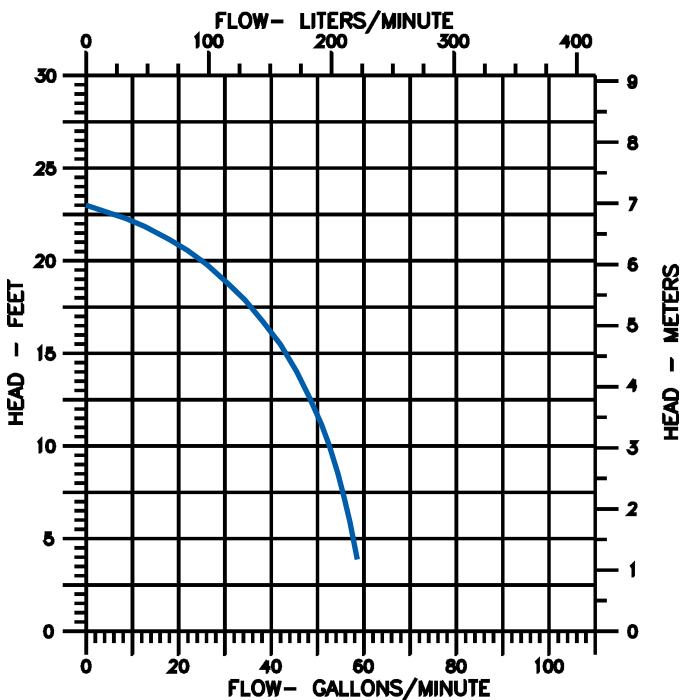
# 9E-CIA-VDS



## Specifications

Model No.	Item No.	Listings	HP	Volts	Solids (dia.)	Running Amps/Watts	Performance (GPM @ Head)				Shut Off		Pwr. Cord (ft.)	Weight (lbs.)	Height	Length	Width
							5'	10'	15'	20'	Feet	PSI					
9E-CIA-VDS	509201	UL/CSA	4/10	115	3/4"	12.3/1000	57	53	40	15	23	10	15	28	9.15	9.6	6.8

Continuous Duty Rated — "Little Giant Wastewater pumps are rated continuous duty as long as they are run within the published ratings for these pumps."



## Construction

Cover	Epoxy-coated cast iron
Motor Housing	Epoxy-coated cast iron
Impeller Material	Nylon
Impeller Type	Vortex
Volute	Epoxy-coated cast iron
Power Cord	SJTW-A
Mechanical Shaft Seal	Nitrile w/carbon and ceramic faces
Fasteners	Stainless steel
Shaft	Steel
Bearings	Upper sleeve and lower ball bearings