

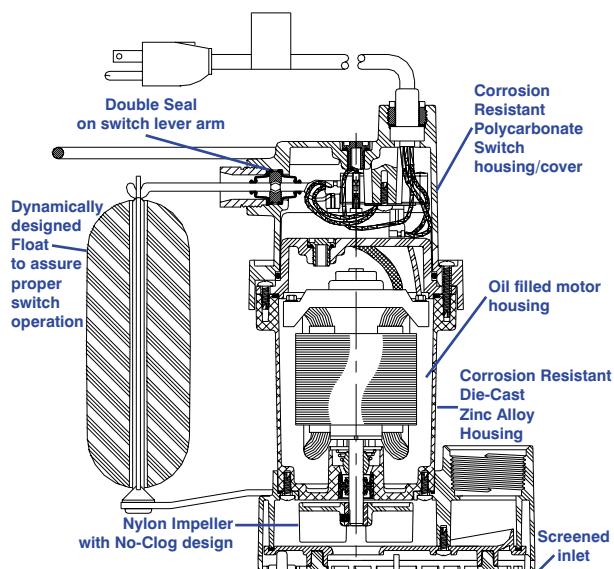
# Little **GIANT**<sup>®</sup> Pump Company

## MODEL 5.5-ASP



### Features

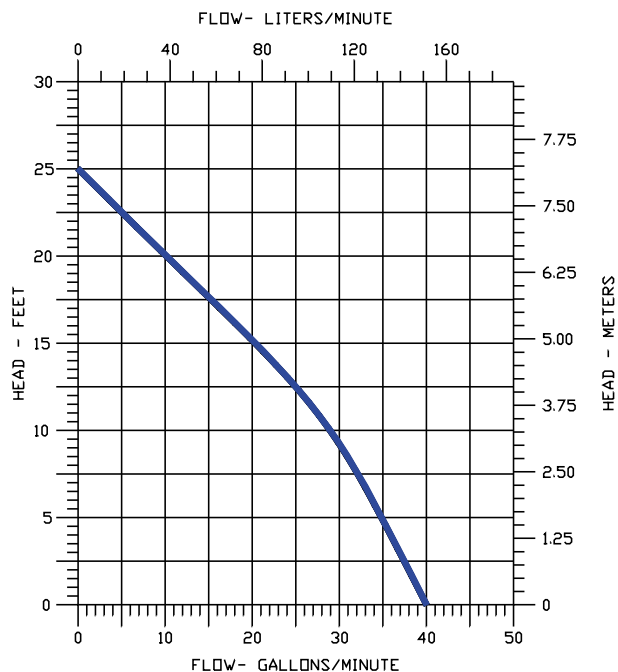
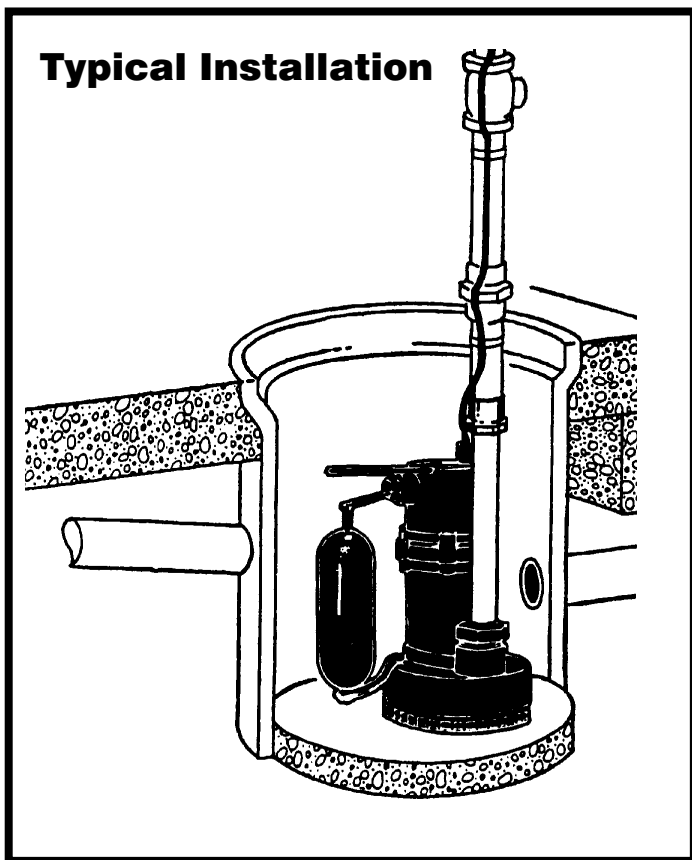
- ¼" HP
- 1¼" FNPT outlet with a garden hose adapter
- 10' or 25' length power cords are available
- Integral snap-action float switch
- Automatic operation has 7"-10" "ON" level range and 2"-5" "OFF" level range
- Thermally protected
- 3/8" Solid handling capacity



# Little Giant Pump Co.

## MODEL 5.5-ASP

PUMP SPECIFICATIONS															
Model	Cat. No.	List/Cert.	V / Hz	H.P.	Amps		GPM @ Height				Power Cord	Shut Off	PSI	Dimensions (in.) H x L x W	Wt. Lbs.
					R	Watts	1'	5'	10'	20'					
5.5 ASP	505700	UL/CSA	115 / 60	1/4	8.5	660	40	35	30	10	10'	25'	10.8	10 3/4 x 8 7/8 x 6	10.25
5.5 ASP	505701	UL/CSA	115 / 60	1/4	8.5	660	40	30	30	10	25'	25'	10.8	10 3/4 x 8 7/8 x 6	10.75



PUMP PERFORMANCE CURVE

115V 60Hz

---

For technical advice or service please take your pump into your local pump service center.  
To order pump or parts or for pricing please go to the following links :

[Little Giant Pumps Home >>](#)

[Little Giant Pumps stock list >>](#)