

Little GIANT[®] Pump Company

1-YS SERIES



Features

- Oil-filled Aluminum Housing
- Nylon volute & impeller
- Conduit fitting for mounting
- Submerged use only in parts washers
- Double-lip Viton[®] shaft seal
- For use with UL (PJQU) solvents
- 205 GPH @ 1
- 6 foot cord, no plug
- Thermally protected

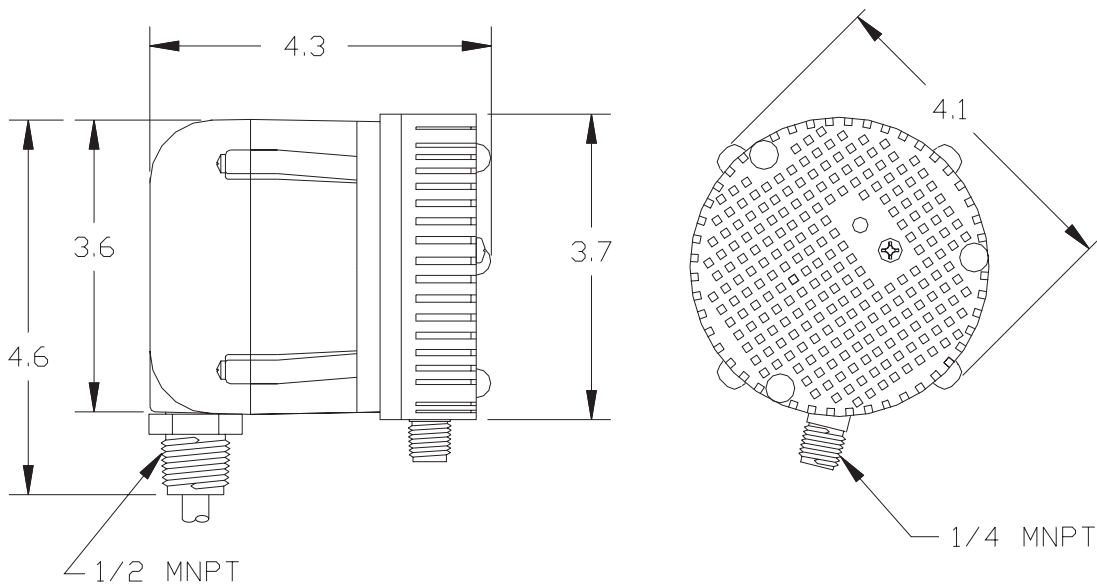
Construction

- Motor — 1/150 HP
- Intermittent Liquid Temp. up to — 120° F
- Intake — N/A
- Discharge — 1/4" MNPT
- Housing — Aluminum
- Cover — Aluminum
- Volute — Nylon
- Impeller — Nylon
- Shaft Seal — Viton[®]
- Screen — Polyethylene

Oil-filled cast aluminum submersible pump for use with stoddard solvent and deodorized kerosene submerged parts washer applications only. Sealed unit has double-lip Viton[®] seal and nylon volute with 1/4" MNPT discharge. 6 foot power cord without plug has "Master Builders" conduit fitting at pump housing for mounting.

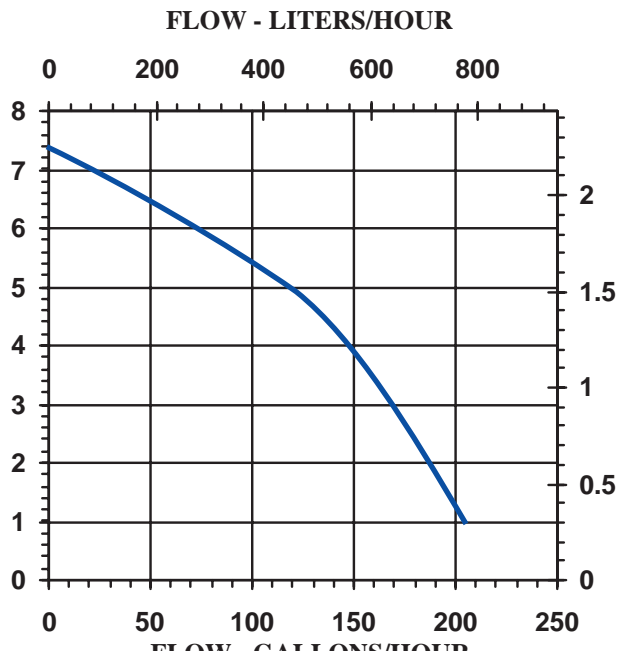
Little Giant Pump Co.

1-YS SERIES



Specifications

Model No.	Item No.	Discharge Size	Listings	HP	Volts	Hertz	Amps	Watts	Performance (GPH @ Head)			Shut Off		Pwr. Cord (ft)	Weight (Lbs.)
									1'	3'	5'	Feet	PSI		
1-YS	501020	1/4" MNPT	UR/C-CSA	1/150	115	60	1.1	70	205	168	120	7.4	3.2	6	3.50
1-YS	501036	1/4" MNPT		1/150	230	50/60	0.6	70	205	168	120	7.4	3.2	6	3.50



Replacement Parts

Volute	101351
Impeller	101433
Screen	101903

For technical advice or service please take your pump into your local pump service center.
To order pump or parts or for pricing please go to the following links :

[Little Giant Pumps Home >>](#)

[Little Giant Pumps stock list >>](#)