

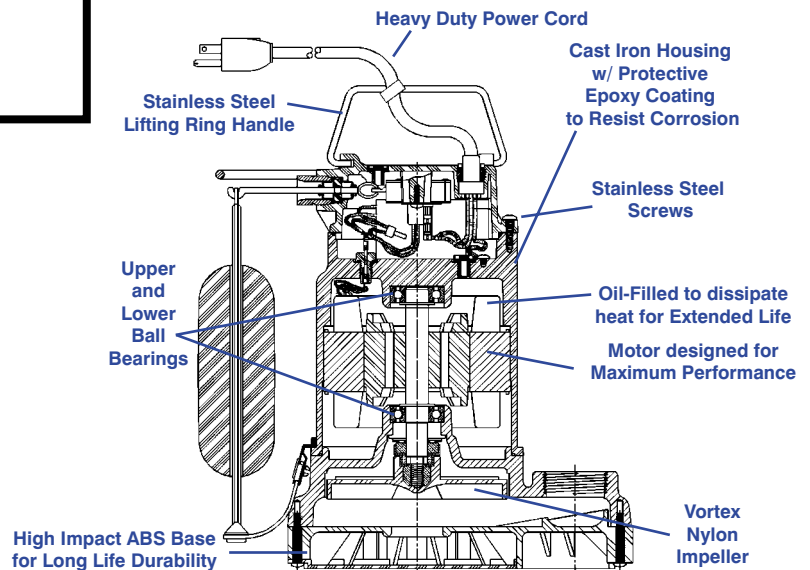
Little GIANT[®] Pump Company

10E-CIA-SFS SERIES



Features

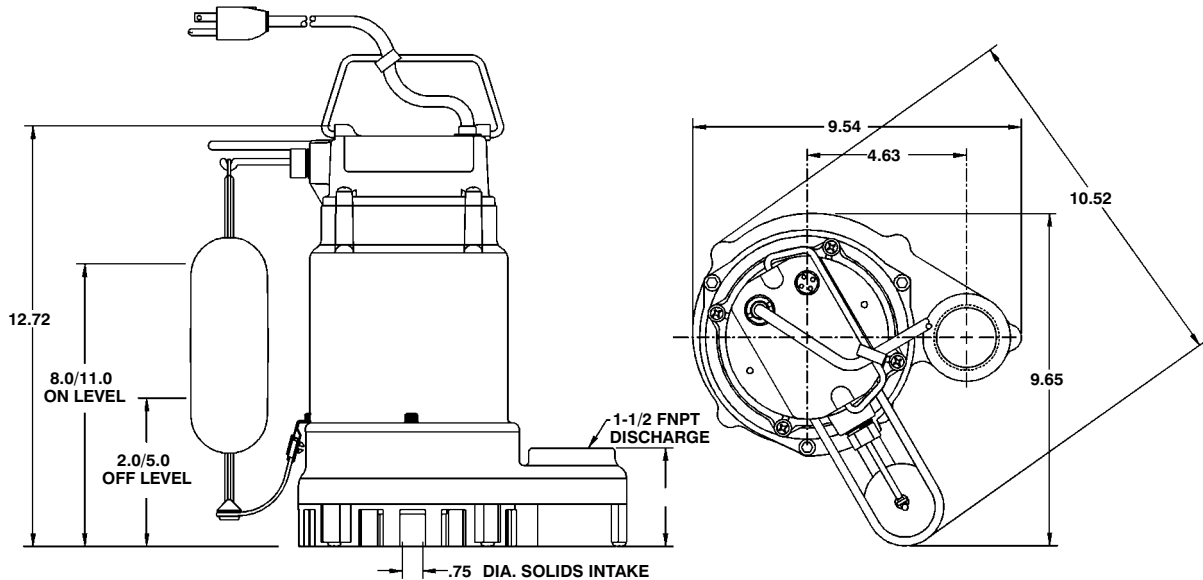
- Handles liquids and solid waste materials up to 3/4" diameter
- Cast iron pump housing with protective epoxy coating for corrosion resistance
- Oil-filled motor housing for lifetime lubrication and rapid heat dissipation
- Stainless steel handle, fasteners and switch guard
- Mechanical seals (Stainless Steel Spring, Nitrile parts, Carbon and Ceramic faces)
- Thermal overload protection
- Automatic operation has 8 to 11 "On" level range and 2 to 5 "Off" level range
- PSC type motor with upper and lower ball bearings
- UL/CSA listed



Little Giant Pump Co.

10E-CIA-SFS SERIES

SUMP/EFFLUENT PUMPS

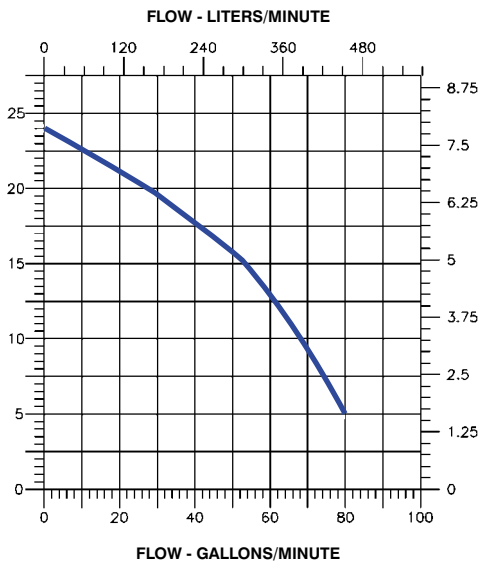


Specifications

MODEL NO.	ITEM NO.	LISTING	HP	VOLTS	SOLIDS SIZE (Dia. In.)	RUNNING AMPS/WATTS	PERFORMANCE (GPM @ HEAD)			SHUTOFF (Ft.)	P.S.I.	PWR. CRD. (Ft.)	WEIGHT (Lbs.)	DIMENSIONS (H x L x W in.)
							5'	10'	15'					
10E-CIA-SFS	511350	UL/CSA	1/2	115	3/4	8.2/958	80	68	53	24	10.4	10	38	12.72 x 10.52 x 9.65
10E-CIA-SFS	511355	UL/CSA	1/2	115	3/4	8.2/958	80	68	53	24	10.4	25	39	12.72 x 10.52 x 9.65

Construction

Cover	Polycarbonate
Motor Housing	Epoxy Coated Cast Iron
Impeller Material	Nylon
Impeller Type	Vortex
Volute	Epoxy Coated Cast Iron
Power Cord	SJTW-A
Mechanical Shaft Seal	Nitrile with carbon and ceramic faces
Fasteners	Stainless Steel
Shaft	Steel
Bearings	Upper and lower ball bearings



10E SERIES PERFORMANCE

For technical advice or service please take your pump into your local pump service center.
To order pump or parts or for pricing please go to the following links :

[Little Giant Pumps Home >>](#)

[Little Giant Pumps stock list >>](#)