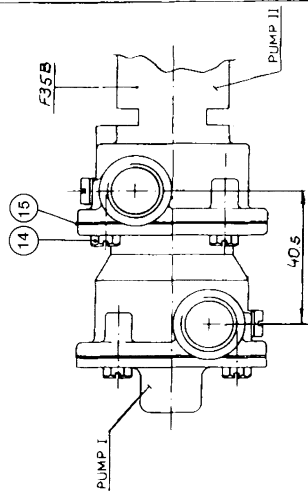
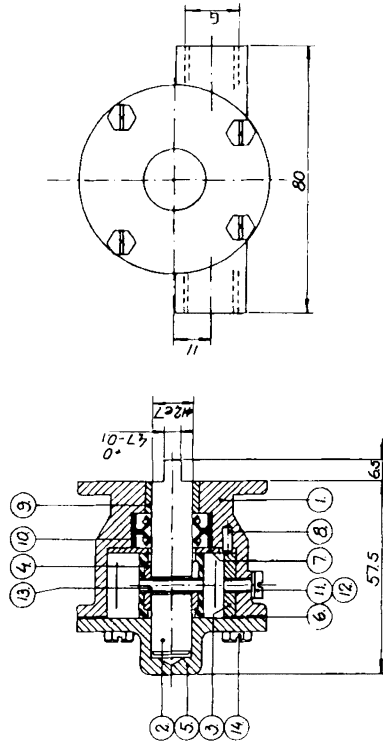


4 st. skruevar 05-01-176 pos ⑩ och 1 st. packning 01-43240 samt 1 st. packning 01-43240 pos ⑪, levereras separat och användas för Pump II.
 4 pcs screw pos ⑩ and 1 pcs gasket pos ⑪ will be delivered separately to be used for Pump II.

PUMP I



RECOMMENDATION FOR GASKET SELECTION PUMP II

HANDLING		PUMP II GASKET ⑪	
Seawater	01-43240	01-43240	1=0.15
Closed Fresh-water system	01-43240	01-43240	1=0.15
			REQ. REPAIRING

Pump no	Pump 1	Gasket ⑥	Cam ③	Screw ⑫	Body ⑩	G
10-24143-1	Seawater	01-43240				
10-24143-2	Closed Fresh-water system	01-43240	01-4245	05-04-553		
10-24143-3	Seawater	01-43240			01-35062-1	ISO 7/1-Rp 3/8
10-24143-4	Closed Fresh-water system	01-43240	01-42910	05-04-114		
10-24143-5	Seawater	01-43240	01-42910	05-04-114	01-35062-3	3/8-18 NPTF

Rev	Part No	Revision	Date	Sign
1	10-24143-5	Rev. 1	07-01-21	JK
2	10-24143-5	Rev. 2	07-01-21	JK
3	10-24143-5	Rev. 3	07-01-21	JK

Part No	Description	Material	Dimension
15	1 Packning	Gasket	01-43240 (See separate)
14	8 Skruvar	Screw	01-43240 (See separate)
13	1 Skruv	Screw	05-04-176
12	1 Skruv	Screw	05-04-173
11	1 Ring	Washer	See table
10	1 Lagplattning	Washer	05-01-100
9	1 Bussning	Bush	05-29-502
8	1 Stift	Pin	01-43110
7	1 Skivring	Wearplate	01-42400
6	1 Packning	Gasket	See table
5	1 Lock	Endcover	01-45359
4	1 Impeller	Cam	05-808 B
3	1 Kam	See table	
2	1 Axel	Shaft	01-45360
1	1 Pumphus	Body	See table/See table

Type: Johnson Impellerpump
 Article No: 10-24143
 Date: 20/11/97
 Scale: 1:1
 Drawing No: 10-24142/p03