



# Waste Evacuation Pump

Jabasco® Waste Evacuation Pump

## Introducing the New Diaphragm Waste Evacuation Pump

- 360° rotating head for flexible installation
- Capable of extensive dry running
- Compact and simple design
- Filter-less design
- Quiet running
- Corrosion-resistant parts
- Complies with USCG 183.410 and ISO 8846 MARINE (ignition protection)



Jabasco is excited to introduce the NEW inline Diaphragm Waste Evacuation Pump designed specifically for use in the evacuation of holding tanks. With 1-1/2" (38mm) ports and no requirement for a pre-filter, black water can be moved easily at a flow rate of 5 gpm (19 lpm). The self-priming and dry running capabilities further enhance the synergy of this pump to the application, and the 360° rotating pump head allows the unit to be mounted in almost any position relative to the direction of the pipe work.



**The 360° rotation on the pump head and the 360° flip rotation options give this pump true installation flexibility.**

### Specifications

Model	Description	Voltage	Amp Draw	Fittings	Flow	Head
50890-1000	Waste Pump	12 Volts	10A	1-1/2" (38mm)	5 gpm (19 lpm)	10 ft (3m)
50890-1100	Waste Pump	24 Volts	7A	1-1/2" (38mm)	5 gpm (19 lpm)	10 ft (3m)

Jabasco





**Jabsco Waste Evacuation Systems**

**Waste Pump**

50890-1000 ..... 12 Volts  
 50890-1100..... 24 Volts

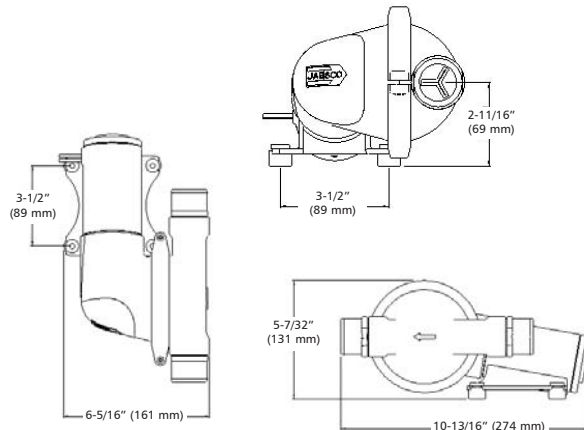
**Specifications**

**Nominal Voltage**..... 12/24 Volts

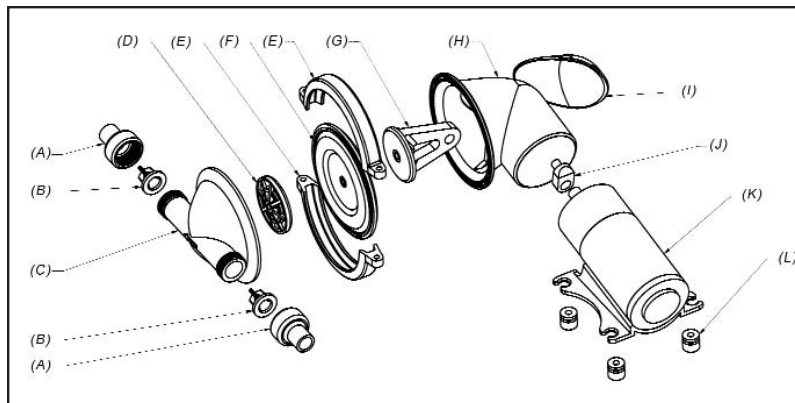
**Amp Draw**..... 15 Amp (12V)  
 ..... 7 Amp (24V)

**Flow Rate**..... 5 GPM (19 LPM)

**Dimensional Drawings Inches (mm)**



**Exploded View**



**Key**

- A 1-1/2" (38mm) ports
- B Joker valves
- C Pump chamber
- D Diaphragm plate
- E Diaphragm clamps
- F Diaphragm
- G Connecting rod
- H Motor / Diaphragm bracket
- I Bracket cover
- J Crank
- K Motor and gearbox
- L Rubber mounting feet

---

For technical advice or service please take your pump into your local pump service center.  
To order pump or parts or for pricing please go to the following links :

[Jabsco Pumps Home >>](#)

[Jabsco Pumps stock list >>](#)