



Model 34744-0000

FLANGEMOUNT 3" BLOWER 115 VOLT AC

FEATURES

- Tough Reinforced Plastic Housing
- Continuous-Duty Motor with Thermal Overload Protection
- Mounts To Any Flat Surface
- Slip-On Inlet Dueling Connection
- Efficient High Volume Air Flow
- Low Current Draw
- Corrosion-Resistant Materials Throughout

SPECIFICATIONS

- Air Flow: 100ft³/min. (2,8m³/min.)
- Voltage: 115 Vae
- Fuse Size: 0.75 Amp AGC (optional)
- Weight: 5 lb (2,3 kg)

APPLICATION

The Jabsco 115 Vae blower is ideal for ventilating cabin odors which *may* be present in galleys, heads or locker areas. It may also be used for engine room ventilation on vessels with diesel powered engines only. **THIS BLOWER IS NOT IGNITION PROTECTED. DO NOT USE TO EXHAUST FLAMMABLE VAPORS SUCH AS GASOLINE FUMES OR MOUNT IN AN AREA WHICH MAY CONTAIN FLAMMABLE VAPORS.** The blower is also suitable for general air circulation when 115 Vae power consumption is preferred.

INSTALLATION

MOUNTING: The blower housing flange should be mounted on a flat bulkhead surface. Selection of a dry cool location will prolong motor life. If mounting blower in a location where spray into discharge port *may* occur, mount blower with motor in a vertical orientation (see installation drawing). When location is selected, cut a 2-3/4" hole through bulkhead to align with discharge port of blower. Secure discharge port flange to bulkhead using #10 screws and flat washers. Tighten screws evenly to avoid flange damage. If discharged air is to be directed to a vent by means of 3" dueling, install an outlet collar number 34856-0000 on the side of the bulkhead opposite blower (as illustrated in installation drawing). 3" flexible dueling number 34959-0100 is easy to cut and install providing a simple means of directing air to the appropriate discharge vent. Use a suitable vent fitting so blower static pressure will not be affected by external wind conditions. If 3" dueling is used to direct air to the blower inlet, route the dueling with as few bends as possible.

For an exposed inlet, the chrome plated ventilator intake screen number 34764-0000 provides a safe and attractive



Model 34744-0000

means of protecting the inlet. The blower *may* also be mounted with the inlet port through a bulkhead by using intake collar number 34943-0000 to convert the 3" intake port to a flange configuration.

NOTICE: Blower should be mounted away from extreme heat (more than 130°F) to prevent distortion of blower wheel or housing.

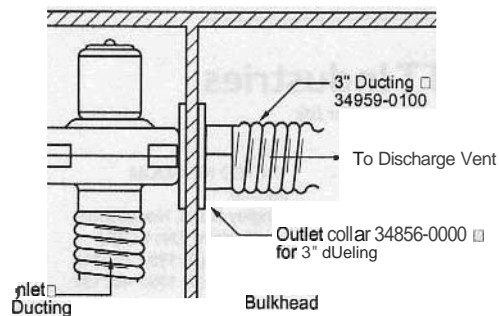


Explosion **hazard**. Motor can spark. Explosion & death can occur. Do not **use** where flammable **vapors** are **present**.

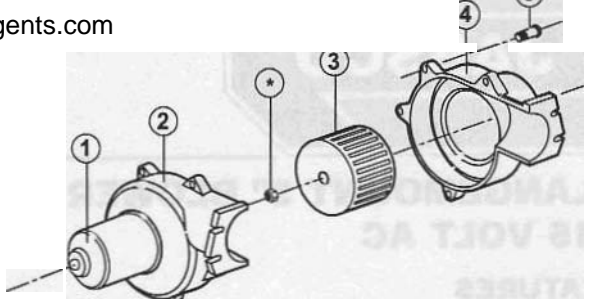
WIRING: All wiring should be done by a qualified electrician and conform with USCG regulations. A minimum of 16 gauge THW wire should be used for lengths of up to 50 feet from the power source. The ungrounded (black) conductor may include a 0.75 Amp AGC fuse installed near the power source to protect the circuit.

A switch of minimum 5 Amp rating may also be installed in ungrounded conductor (between fuse and blower) to control blower operation. The neutral conductor (white) should be connected directly from the neutral buss to the blower motor. A separate ground wire (green) should be secured to the grounding wire riveted to the motor case and connected to the vessel's common ground.

INSTALLATION DRAWING



Qty.	Description	Qty.	Part Number
1	Motor Kit 115 Vac with 2 Mounting Nuts	1	34848-0000
2	Blower Housing	1	35774-0000
3	Blower Wheel	1	34742-0001
●	Blower Housing	1	35775-0000
5	Screw 8 x 5/8 55 Self Tapping Pan Head	5	35508-0000

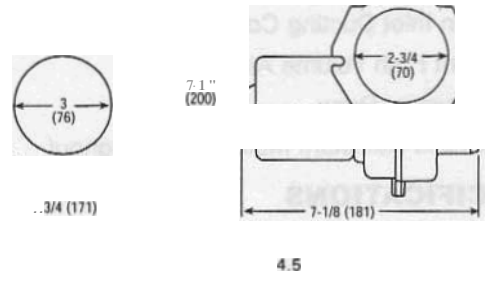


MARINE SWITCH PANEL



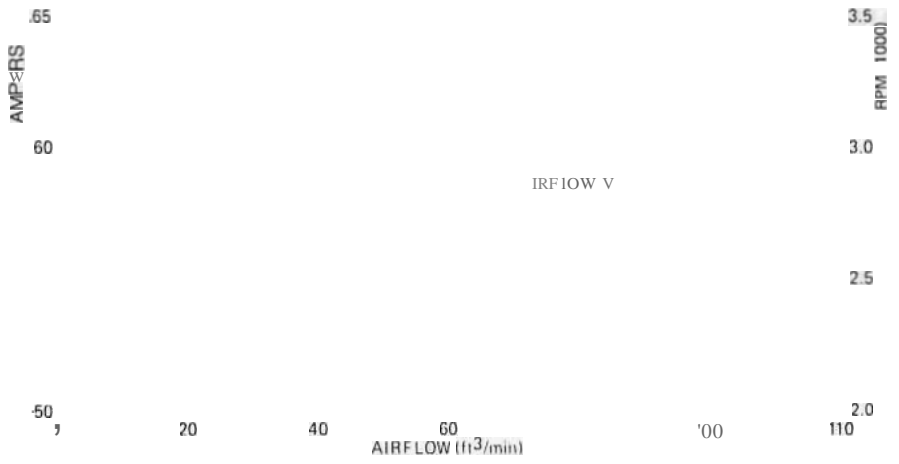
44960-0003
Unlighted SPST

DIMENSIONAL DRAWING Inches (Millimeters)



MODEL 34144 0000
" V

AIRFLOW VS AMPERES



Jabsco



THE PRODUCT DESCRIBED HEREIN IS SUBJECT TO THE JABSCO ONE YEAR LIMITED WARRANTY, WHICH IS AVAILABLE FOR YOUR INSPECTION UPON REQUEST.

U.S.A.
Jabsco
1485 Dale Way, PO Box 2158
Costa Mesa, CA 92628-2158
Tel: 714.545.8251
Fax: 714.957.0609

UNITED KINGDOM
Jabsco
Bingley Road, Hoddesdon
Hertfordshire EN11 0BU
Tel: (0)1992 450145
Fax: (0)1992 450145

CANADA
Fluid Products Canada
55 Royal Road
Guelph, Ontario N1H 1T1
Tel: (519) 821.1900
Fax: (519) 821.1900

JAPAN
NHK Jabsco Company Ltd.
3-21-10, Shin-Yokohama
Kohoku-Ku, Yokohama, 222
Tel: 045.475.8906
Fax: 045.475.8906

GERMANY
Jabsco GmbH
Oststrasse 28
22840 Norderstedt
Tel: +49-40-53 53 73-0
Fax: +49-40-53 53 73-11

For technical advice or service please take your pump into your local pump service center.
To order pump or parts or for pricing please go to the following links :

[Jabsco Pumps Home >>](#)

[Jabsco Pumps stock list >>](#)