



Model 18580-0000  
115 Vac Centri-Puppy

## BRONZE CENTRIFUGAL

### FEATURES

Volute Body:	Bronze
Ports - Inlet:	3/4" NPT
Discharge:	3/4" NPT
Impeller	Bronze
Seal:	Lip Type, Viton* Compound
Motor:	1/8 HP 115/1/60, 3450 RPM, TENV, 6 Foot, 3 Prong Grounded Plug
Weight:	14-1/4 lb (31,5 kg)

### ⚠ WARNING



**Explosion hazard. Motor can spark.  
Explosion & death can occur. Do not use  
where flammable vapors are present.**

### DESCRIPTION

The ITT Jabsco bronze centrifugal pump is designed for continuous duty service. The close coupled, compact motor pump unit is equipped with a ball bearing motor and stainless steel shaft and has a service factor of 1.5 or greater. The Centri-Puppy is equipped with a Viton lip seal for application versatility. Unlike ITT Jabsco flexible impeller pumps, the centrifugal pump is not self-priming. Normal installation is flooded suction, that is, with the pump below the source liquid level so that liquid flows by gravity to the pump. The pump may be located above the liquid source, if a check valve or foot valve is installed at the beginning of the suction line; and, the pump and entire suction line is filled with liquid; and, all air is bled from the suction side when primed and will maintain its prime, as long as the foot or check valve functions as it should, without leaking. If the check valve leaks, the pump will not reprime, and must be manually primed in order to resume operation.

Published performance curves are based on pumping water at 68 degrees F. The motor horsepower is sufficient to provide full open discharge capacity at three (3) feet of head. As the head (pressure) against which the pump operates increases, the load on the motor decreases, thus the discharge may be throttled without danger of overloading the motor. Liquids of higher specific gravity (weight) than water require more power to generate the same performance available with water. The horsepower requirement increases directly as the increase in specific gravity.

It is not possible to increase the horsepower of a close coupled motor pump unit, therefore, to pump a liquid of higher specific gravity, with the centrifugal motor pumps, the capacity must be limited by restricting the discharge

\* Viton is a trademark of Dupont Dow Elastomers



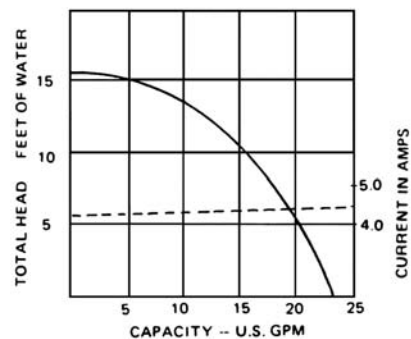
Model 18580-0000

to stay within the horsepower available. In other words, the discharge must be throttled to the extent that the motor full load amperage rating, found on the motor label, is not exceeded. Contact factory for application engineering assistance.

In all installations, make sure the suction is not restricted. Do not use an elbow fitting in the pump intake port. Starved suction can result in cavitation which will damage the pump and cause performance deterioration.

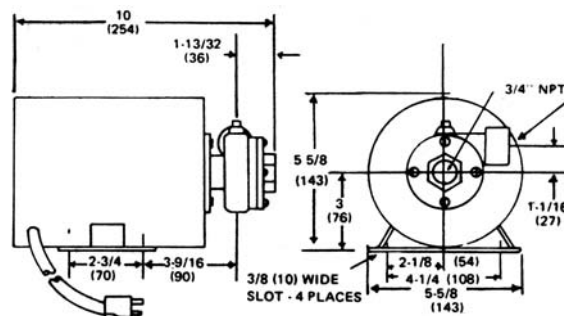
Viscous or thick liquids are difficult to pump with a small centrifugal pump. Do not attempt to pump liquids with a viscosity exceeding 1500 SSU (SAE 30 WT OIL at 75 degrees F) with a centrifugal pump. Consider, instead, the ITT Jabsco flexible impeller pump.

### PERFORMANCE CHART



### DIMENSIONAL DRAWING

Inches (Millimetres)



---

For technical advice or service please take your pump into your local pump service center.  
To order pump or parts or for pricing please go to the following links :

[Jabsco Pumps Home >>](#)

[Jabsco Pumps stock list >>](#)