

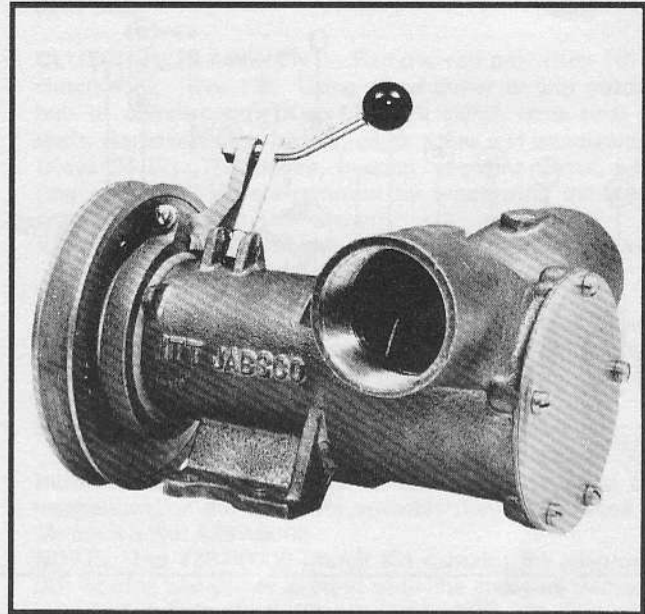


Model 18310-0000

SELF-PRIMING PUMPS MANUAL CLUTCH UNITS

FEATURES

- Body:** Bronze
- Impeller:** Nitrile 196
- Shaft:** Brass
- Ports:** 2" NPT
- Seal:** Carbon-Ceramic Face Type
- Bearings:** Sealed Ball Bearings
- Shipping Weight:** 25 lb (11,3 kg)



Model 18310-0000

APPLICATIONS

- MARINE:** Engine cooling, Pumping bilges, Washdowns, Circulating water in bait tanks, Utility dock side pump.
- INDUSTRIAL:** Circulating and transferring, Velocity-mixing, Return spill, Sump drainage, Chemicals, Pharmaceuticals, Soap, Liquors, Ink, Dyes, Alcohol, Tanning Liquors, Glycerine, Brine, etc.
- FARMING:** Pumping water for stock, Pumping water from shallow wells and cisterns.
- PUBLIC UTILITIES AND MUNICIPALITIES:** Dewatering and draining meter boxes and excavations, Truck installation under hood for emergency pumping.

INSTALLATION

Pump may be mounted in any position which allows for clockwise rotation viewed from end cover. Counter clockwise rotation may cause premature clutch wear. Drive pump with an "A" or "B" size belt.

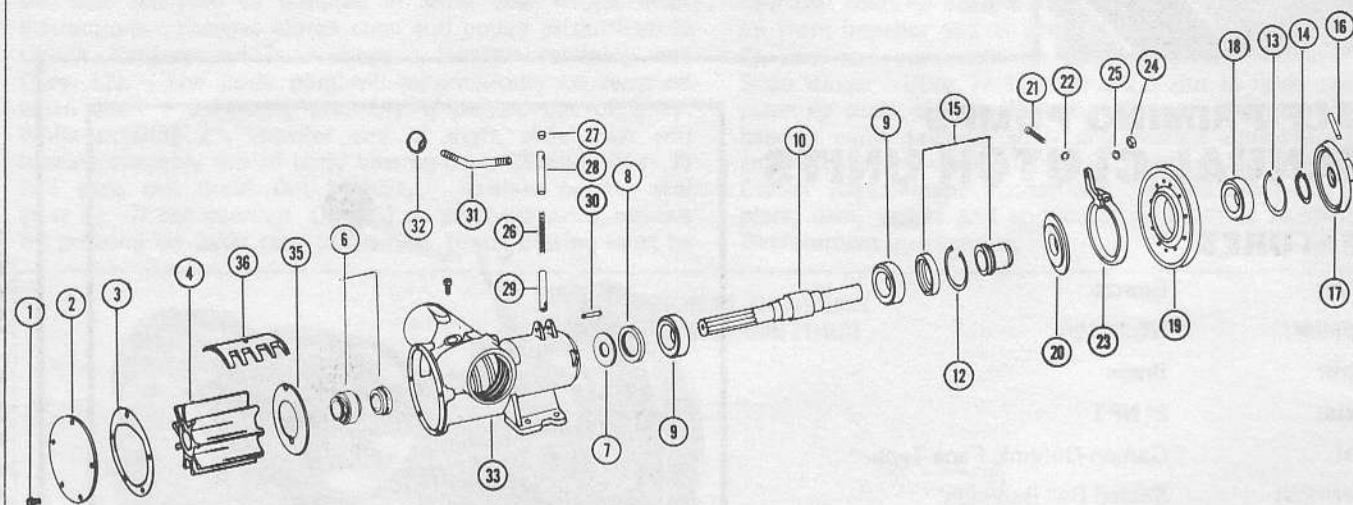
OPERATION

Pump will self-prime at low or high speeds. Make sure that all connections are airtight. Clutch will engage when clutch handle is moved to the left (as viewed from pulley end of unit). **DO NOT RUN PUMP DRY FOR MORE THAN 30 SECONDS. LACK OF WATER FLOW MAY DAMAGE IMPELLER.** To drain pump, loosen end cover screws. See Head Capacity Table for head pressures and flow. To avoid costly shutdowns, keep a Jabsco Service Kit on hand.



WARNING Exposed pulleys and belts can cause injury. Install shield around pulleys and belts.

EXPLODED VIEW



PARTS LIST

Key	Description	Part#	Qty.	Key	Description	Part#	Qty.
1	Screw, End Cover and Cam 1/4-20x1/2"	91005-0040	6	21	†Screw 1/4-20x1-1/4" Br. M.S.	91005-0060	1
2	End Cover	12062-0000	1	22	†Lock Washer 1/4"	91602-0060	1
3	* Gasket	816-0000	1	23	†Lever Ring	2470-0000	1
4	* Impeller	6760-0003	1	24	†Nut 5/16-24	91085-0090	1
6	* Seal Assembly (Shaft)	6408-0000	1	25	†Lock Washer 5/16"	91602-0080	1
7	Slinger	3181-0000	1	26	†Spring	3528-0000	1
8	Bearing Seal	92701-0180	1	27	†Rubber Plug	3530-0000	1
9	Ball Bearing	92600-0260	2	28	†Guide Tube	3525-0000	1
10	Shaft	10657-0010	1	29	†Guide Tube For Spring	3526-0000	1
12	†Retaining Ring (Body Plug to Body)	18725-0000	1	30	†Roll Pin	93100-0020	1
13	†Retaining Ring (Pulley to Bearing)	18726-0000	1	31	†Clutch Handle	2415-0000	1
14	†Retaining Ring (Engaging Sleeve to Bearing)	18723-0000	1	32	†Control Knob	92330-0010	1
15	†Body Plug and Engaging Sleeve	3856-0000	1	33	Body	18313-0002	1
16	†Roll Pin	93100-0010	1	35	Wearplate	2574-0000	1
17	†Clutch Cone	2473-0000	1	36	Cam	6988-0000	1
18	†Ball Bearing	92600-0330	1		Service Kit	90254-0001	
19	†Clutch Pulley	2472-0010	1		Clutch Kit	4387-0000	
20	†Adaptor Ring	2471-0000	1				

* Parts contained in Service Kit

† Parts contained in Clutch Kit

NOTE: All replacement parts shown (except Body/Bearing Housing Assembly) are interchangeable with earlier pump model 10660-0001.

For technical advice or service please take your pump into your local pump service center.
To order pump or parts or for pricing please go to the following links :

[Jabsco Pumps Home >>](#)

[Jabsco Pumps stock list >>](#)