

# Little GIANT Pump Company

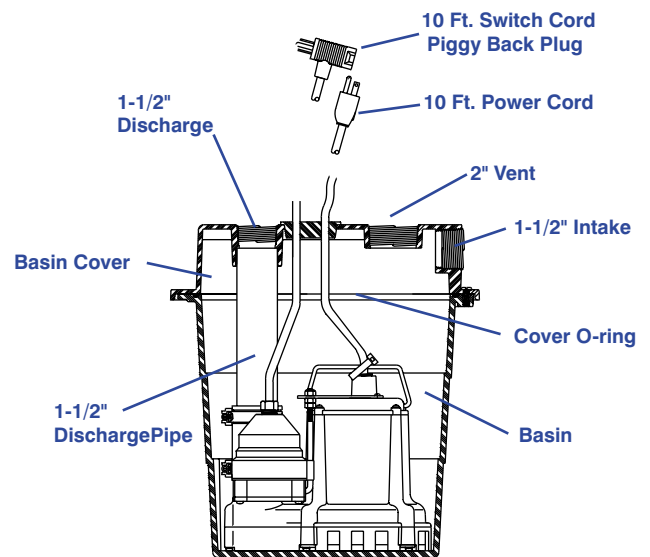
## WRS-8E



(Pump Only)

### Features

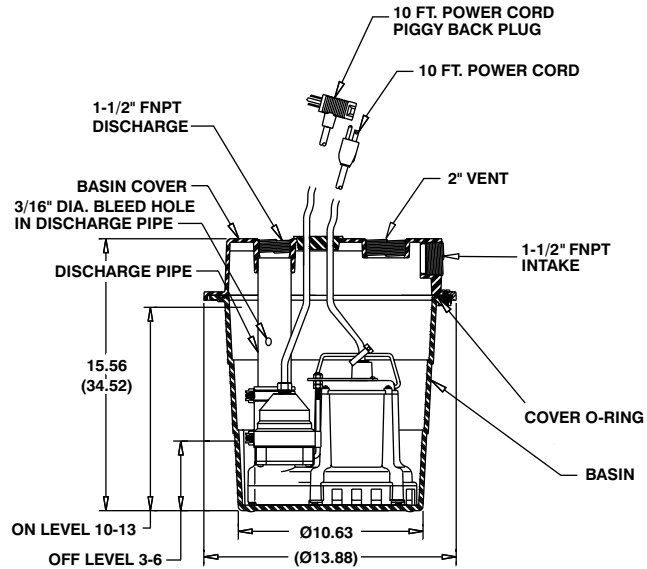
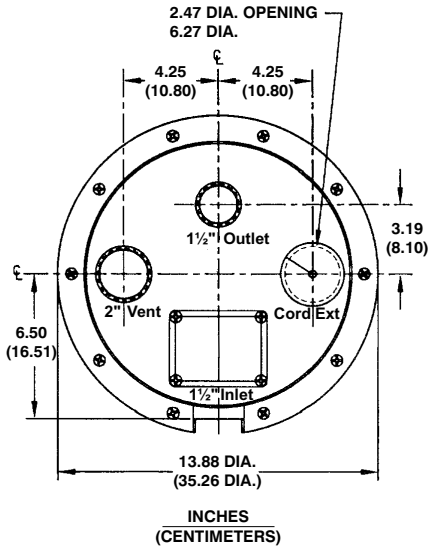
- Pump made of Cast Iron housing with protective epoxy coating for corrosion resistance
- 1/3 HP motor with thermal overload protection
- Pump handles 3/4" solids
- Automatic diaphragm pressure switch with piggyback plug enclosed in nylon housing with "on" level at 10" - 13" and "off" level at 3" - 6"
- Basin made of polypropylene - light weight and corrosion resistant
- Basin designed with o-rings to provide a water tight seal
- Cover comes with 1-1/2" FNPT discharge, a 1-1/2" FNPT intake opening, and a 2" FNPT vent
- IAPMO Listed basin
- Pre-assembled, ready to be installed



The largest of the Drainosaur® family, the Drainosaur® II, has 3/4" solids handling capability unique to this family of Wastewater Removal Systems (WRS). With higher head capability, the WRS-8E can be used in a wide range of applications where a higher head and solids handling (up to 3/4") is required. The Drainosaur® II removes water from laundry trays, wet bar sinks, dehumidifiers, air conditioners (condensate), water softeners, etc. It is installed above the floor eliminating the need to dig a sump. Unit is pre-assembled and ready to install.

# Little Giant Pump Co.

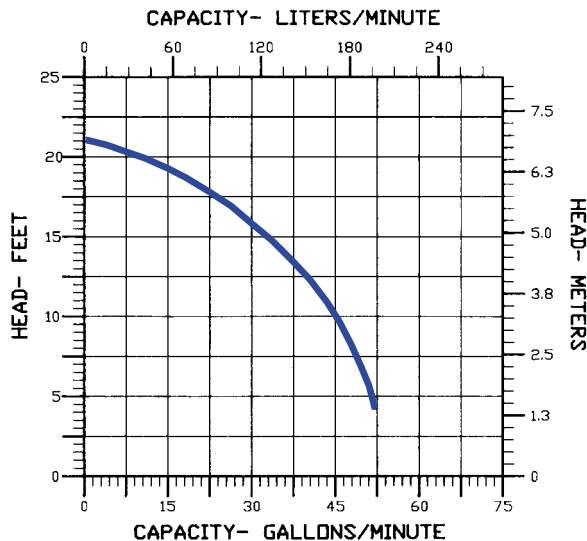
## WRS-8E



### Specifications

MODEL NO.	ITEM NO.	DISCHARGE	LISTING	VOLTS	HP	RUNNING AMPS/WATTS	GPM PERFORMANCE			SHUT OFF	PSI	WEIGHT	DIMENSIONS W x H
							5'	10'	15'				
WRS-8E	509150	1-1/2"	UL/CSA/IAPMO	115	1/3	11.5/900	52	45	33	21'	9.1	24 lbs.	13.88 x 15.56

(UL/CSA Listing for Pump Only)



### Basin Construction

Basin Cover	Polypropylene
Basin Fluid Capacity (Approx.)	5 Gallons
Discharge Size	1-1/2" FNPT
Intake Size	1-1/2" FNPT
Vent Size	2" FNPT

### Pump Construction

Motor Housing	Epoxy-coated cast iron
Impeller Material	Nylon
Impeller Type	Vortex
Volute	Epoxy-coated cast iron
Power Cord	SJTW
Mechanical Shaft Seal	Nitrile with carbon and ceramic faces
Fasteners	Stainless steel
Shaft	Stainless steel
Bearings	Upper and lower sintered sleeve bearings



ISO 9001 CERTIFIED

**Little Giant Pump Co.**

PO Box 12010  
Okla. City, OK 73157

Phone: 405.947.2511  
Fax: 405.228.1550

[www.LittleGiantPump.com](http://www.LittleGiantPump.com)

Form 995224 05/01