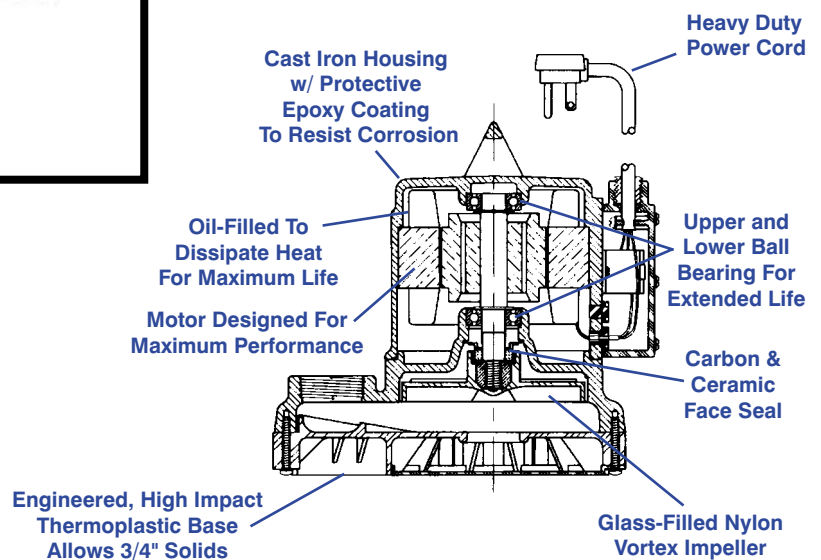


## 10E SERIES



### Features

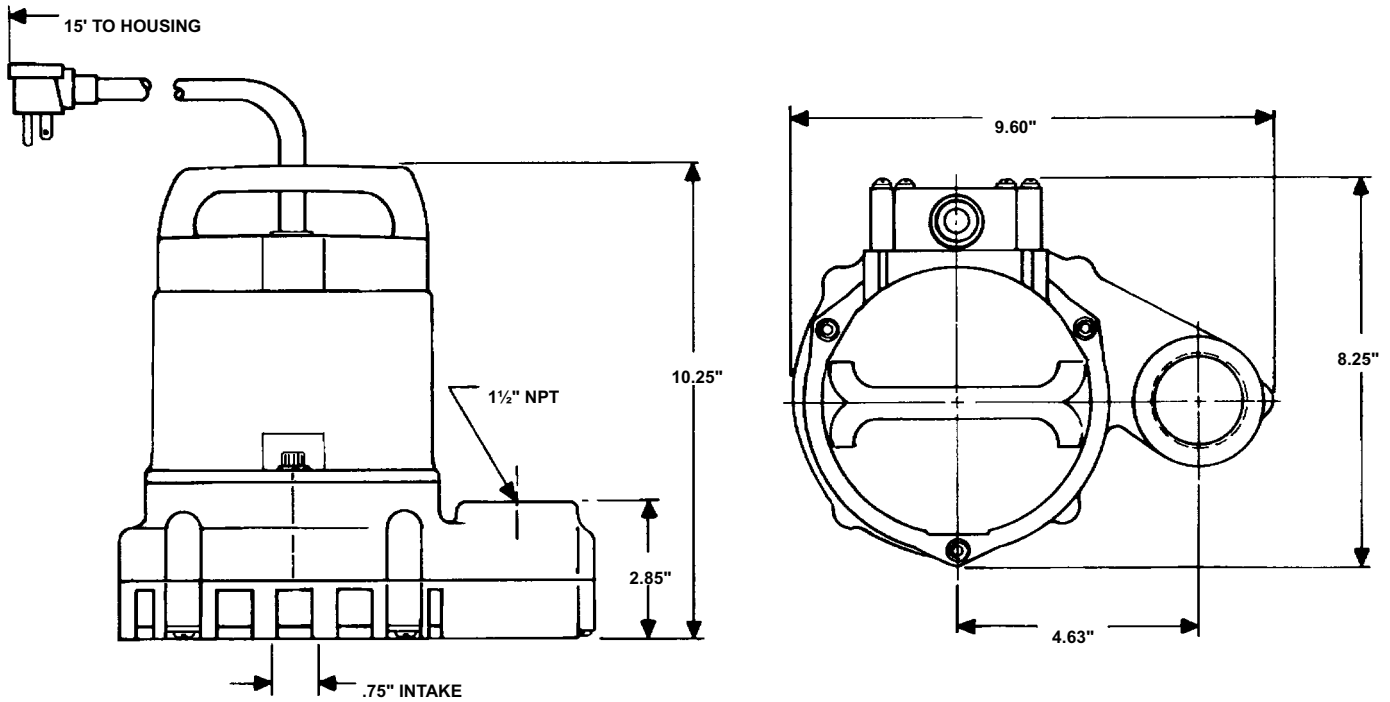
- Handles liquids and solid waste materials up to 3/4" diameter
- Cast iron pump housing with protective epoxy coating for corrosion resistance
- Oil-filled motor housing for lifetime lubrication and rapid heat dissipation
- Stainless steel fasteners
- Mechanical seals (stainless steel spring, nitrile parts, Carbon and ceramic faces)
- Bearings: Upper and lower ball bearings
- Thermal overload protection
- Manual and Automatic models
- Automatic operation has 9 to 14 "On" level and 2 to 6 "Off" level range with piggyback remote float switch
- All 115 volt models are UL/CSA listed



The Model 10E Series De-watering and Effluent pumps are for commercial and light industrial applications. Pumps feature a 1-1/2" discharge, with a lift of 26', ABS base, vortex nylon impeller and glass-filled electrical case.

# Little Giant Pump Co.

## 10E SERIES SUMP/EFFLUENT PUMPS



### Specifications

| MODEL NO.   | ITEM. NO. | LISTING | HP  | VOLTS   | SOLIDS SIZE (Dia. In.) | RUNNING AMPS/WATTS | PERFORMANCE (GPM @ HEAD) |    |    |    | SHUTOFF |        | PWR. CRD. (Ft.) | WEIGHT (Lbs.) | DIMENSIONS (H x L x W in.) |
|-------------|-----------|---------|-----|---------|------------------------|--------------------|--------------------------|----|----|----|---------|--------|-----------------|---------------|----------------------------|
|             |           |         |     |         |                        |                    | 5                        | 10 | 15 | 20 | (Ft.)   | P.S.I. |                 |               |                            |
| 10E-CIM     | 511200    | UL/CSA  | 1/2 | 115     | 3/4"                   | 10.5/900           | 80                       | 67 | 52 | 33 | 26      | 11.2   | 15              | 35            | 10.25 x 9.6 x 8.25         |
| 10E-CIA-RFS | 511300    | UL/CSA  | 1/2 | 115     | 3/4"                   | 10.5/900           | 80                       | 67 | 52 | 33 | 26      | 11.2   | 15              | 37            | 10.25 x 9.6 x 8.25         |
| 10E-CIM     | 511275    | UL/CSA  | 1/2 | 208-230 | 3/4"                   | 6.6A/900           | 80                       | 67 | 52 | 33 | 26      | 11.2   | 15              | 36            | 10.25 x 9.6 x 8.25         |
| 10E-CIM     | 511225    | UL/CSA  | 1/2 | 115     | 3/4"                   | 10.5/900           | 80                       | 67 | 52 | 33 | 26      | 11.2   | 25              | 36            | 10.25 x 9.6 x 8.25         |

All Models are 60 Hz (NOTE: Use 6.5 amps for 511275 for 50 Hz rating)  
RFS = Mechanical Float Switch



### Construction

|                       |                                       |
|-----------------------|---------------------------------------|
| Motor Housing         | Epoxy Coated Cast Iron                |
| Impeller Material     | Nylon                                 |
| Impeller Type         | Vortex                                |
| Volute                | Epoxy Coated Cast Iron                |
| Power Cord            | SJTW-A                                |
| Mechanical Shaft Seal | Nitrile with carbon and ceramic faces |
| Fasteners             | Stainless Steel                       |
| Shaft                 | Steel                                 |
| Bearings              | Upper and lower Ball Bearings         |



ISO 9001 CERTIFIED

### Little Giant Pump Co.

PO Box 12010  
Okla. City, OK 73157

Phone: 405.947.2511  
Fax: 405.228.1550

[www.LittleGiantPump.com](http://www.LittleGiantPump.com)

Form No. 994343 - 05/01