

Little GIANT[®]

Pump Company

2E-38N SERIES



Features

- For submersed or in-line use
- Epoxy coated die-cast aluminum housing
- Oil-filled motor
- 11.8' maximum lift
- 100 watts
- 1/4" MNPT discharge
- Thermal overload protection

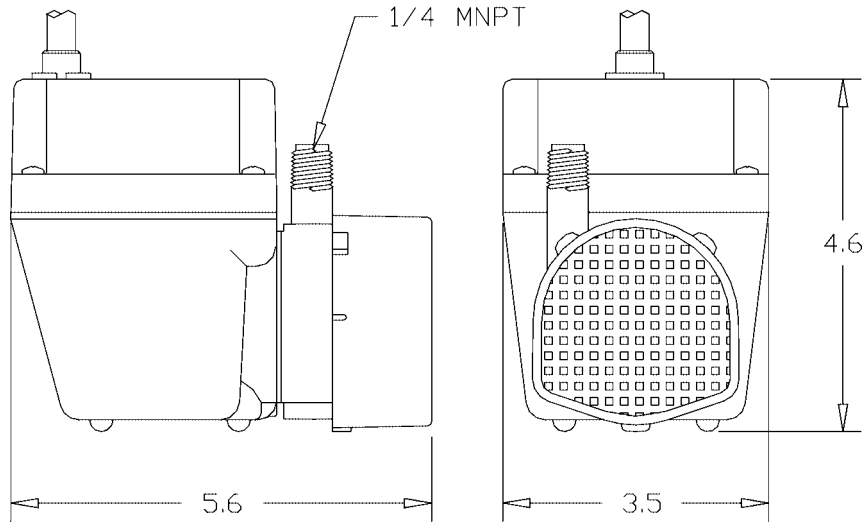
Construction

- Motor — 1/40 HP Oil Filled
- Maximum Flow Rate — 300 GPH @ 1'
- Maximum Head — 11.8'
- Intermittent Liquid Temp. up to — 120° F
- Intake — 3/8" FNPT
- Discharge — 1/4" MNPT
- Housing — Epoxy coated cast aluminum
- Cover — Epoxy coated cast aluminum
- Volute — Nylon
- Impeller — Nylon
- Shaft Seal — Nitrile
- Screen — Polypropylene

Dual purpose oil-filled pump that may be used totally submersed or in-line (fed with pipe or hose). For commercial, industrial and home applications including statuary fountains, water displays, air conditioners, machine tool coolants, and many other applications where liquid must be transferred or recirculated. This compact 300 GPH pump features a 1/4" MNPT discharge and 11.8' shut-off head capability.

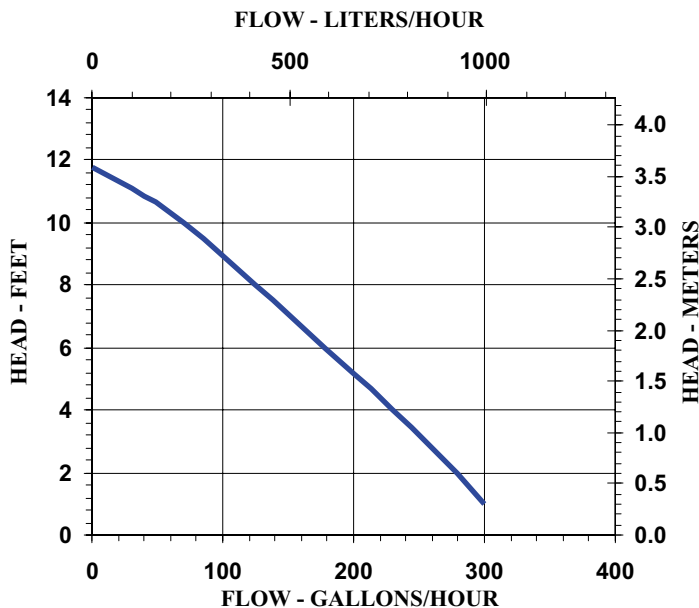
Little Giant Pump Co.

2E-38N SERIES



Specifications

Model No.	Item No.	Discharge	Intake	Listing(s)	HP	Volts	Hertz	Amps	Watts	Performance (GPH @ Head)				Shut Off		Pwr. Cord (ft)	Weight (Lbs.)
										1'	3'	5'	10'	Feet	PSI		
2E-38N	502203	1/4" MNPT	3/8" FNPT	UL	1/40	115	60	1.7	100	300	255	205	70	11.8	5.1	6	4.83
2E-38N	502403	1/4" MNPT	3/8" FNPT	UL	1/40	115	60	1.7	100	300	255	205	70	11.8	5.1	6	4.83
2E-38NT	502286	1/4" MNPT	3/8" FNPT	UL/CSA	1/40	115	60	1.7	100	300	255	205	70	11.8	5.1	10	5.00
2E-38N	502500	1/4" MNPT	3/8" FNPT		1/40	127	60	1.7	100	300	255	205	70	11.8	5.1	6	4.83
2E-38NY	502216	1/4" MNPT	3/8" FNPT	UR/C-CSA	1/40	230	50/60	9.7	100	300	255	205	70	11.8	5.1	12	5.17



Replacement Parts

Volute	102334
Impeller	102470
Screen	102909
Gasket	102601

Little Giant Pump Co.
 PO Box 12010
 Okla. City, OK 73157
 Phone: 405.947.2511
 Fax: 405.228.1550
www.LittleGiantPump.com