

# Little GIANT<sup>®</sup>

## Pump Company

### 1-AA-MD



#### Features

- Thermally Protected, Open, Shaded-Pole Motor
- Sleeve Bearings
- 3' Lead Wires Without Plug
- Specific Gravity to 1.1
- Fluid Temperature to 150 Degrees F.
- Ambient Air Temperature to 77 Degrees F.
- NOTE: Consult your local distributor or the factory for applications with higher ambient temperatures, specific gravities and viscosities.

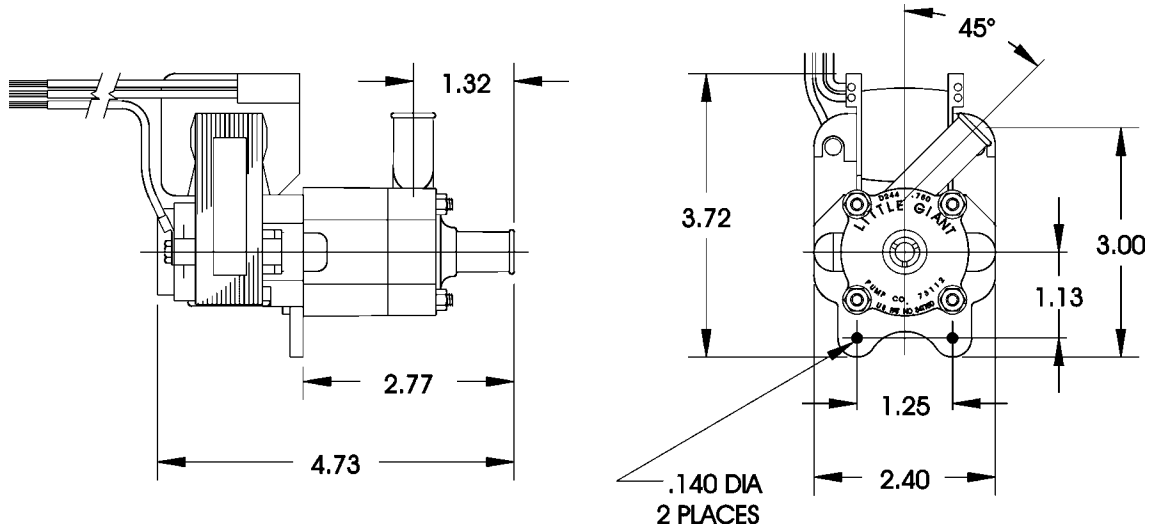
#### Construction

- Volute — Glass-filled Polypropylene
- Housing — Glass-filled Polypropylene
- Impeller — Glass-filled Polypropylene & Ceramagnet "A" (Barium Ferrite)
- Shaft — Stainless Steel
- Thrust Washers — Rulon "J" (Teflon)
- O-Ring — Nitrile

The Little Giant MD series features leakproof, seal-less magnetic drives and are designed for in-line, non submersible use. Volute and magnet housing are glass-filled polypropylene for excellent chemical resistance. Impeller is glass-filled polypropylene and Ceramagnet "A" (Barium Ferrite). Shaft is stainless steel and thrust washers are Rulon "J" (Teflon) for excellent wear and trouble-free service. Pumping heads are easily rotated, cleaned or serviced with no special tools required. Spindle shaft is supported at both ends to prevent impeller damage during start-up and stop of pump.

# Little Giant Pump Co.

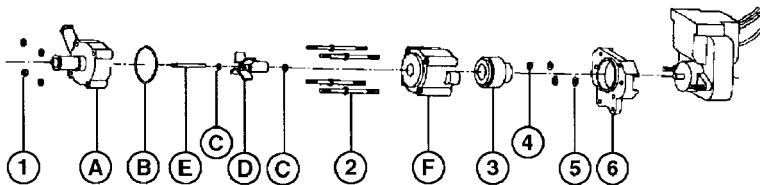
## 1-AA-MD



NOTE: Designs and dimensions may vary for various reasons (i.e. type of motor). This information should be used as general guide rather than an unqualified guarantee. Specifications are subject to change without prior notice.

### Specifications

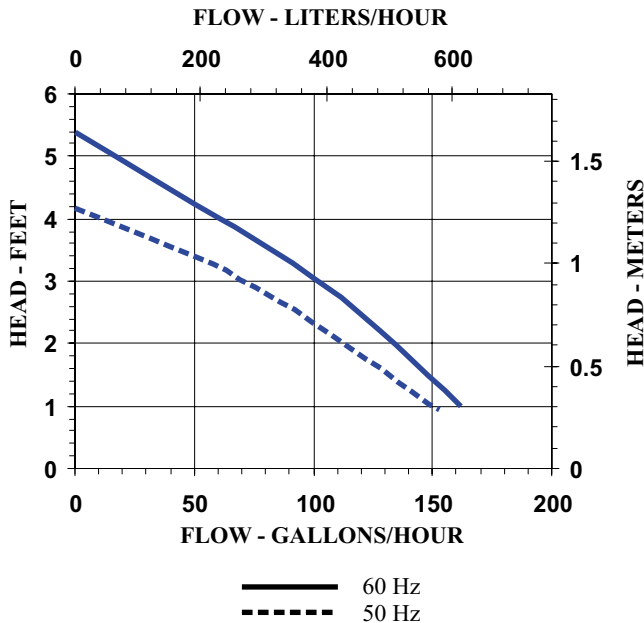
| Model No. | Item No. | Intake    | Discharge | Listing(s) | HP    | Volts | Hertz | Amps    | Watts | Performance (GPH @ Head) |     | Shut Off |     | Pwr. Cord (ft) | Weight (Lbs.) |
|-----------|----------|-----------|-----------|------------|-------|-------|-------|---------|-------|--------------------------|-----|----------|-----|----------------|---------------|
|           |          |           |           |            |       |       |       |         |       | 1'                       | 3'  | Feet     | PSI |                |               |
| 1-AA-MD   | 588001   | 1/2" Hose | 1/2" Hose | UR/C-CSA   | 1/200 | 115   | 60    | 0.4     | 19    | 162                      | 102 | 5.4      | 2.3 | 6              | 2.33          |
| 1-AA-MD   | 588002   | 1/2" Hose | 1/2" Hose | UR/C-CSA   | 1/200 | 230   | 50/60 | .12/.14 | 20    | 162                      | 102 | 5.4      | 2.3 | 6              | 2.33          |
| 1-AA-MD   | 588122   | 1/2" Hose | 1/2" Hose |            |       |       |       |         |       |                          |     |          |     |                | 0.90          |



### Replacement Parts

| ITEM | PART NO. | DESCRIPTION    |
|------|----------|----------------|
| A    | 188010   | Volute         |
| B    | 924025   | O-Ring         |
| C    | 921065   | Thrust Washer  |
| D    | 188100   | Impeller       |
| E    | 188050   | Shaft          |
| F    | 188001   | Housing        |
| 1    | 920020   | Nut            |
| 2    | 911503   | Stud, Collared |
| 3    | 188124   | Drive Magnet   |
| 4    | 920002   | Nut            |
| 5    | 921028   | Lock Washer    |
| 6    | 188030   | Mtg. Bracket   |

Note: Parts A-F Contact Fluid.



**Little Giant Pump Co.**  
 PO Box 12010  
 Okla. City, OK 73157  
 Phone: 405.947.2511  
 Fax: 405.228.1550  
[www.LittleGiantPump.com](http://www.LittleGiantPump.com)