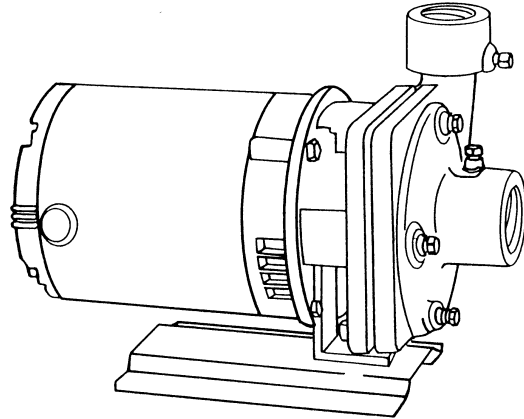
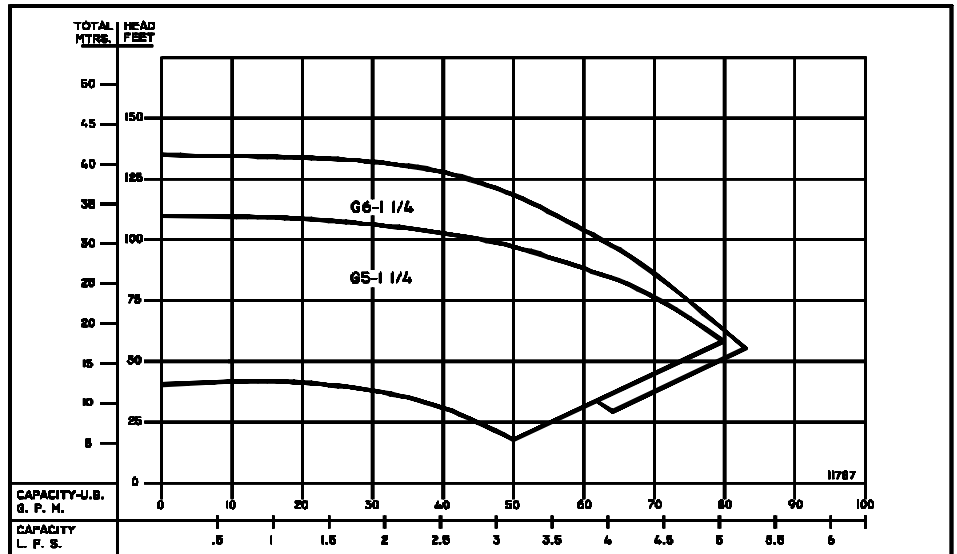


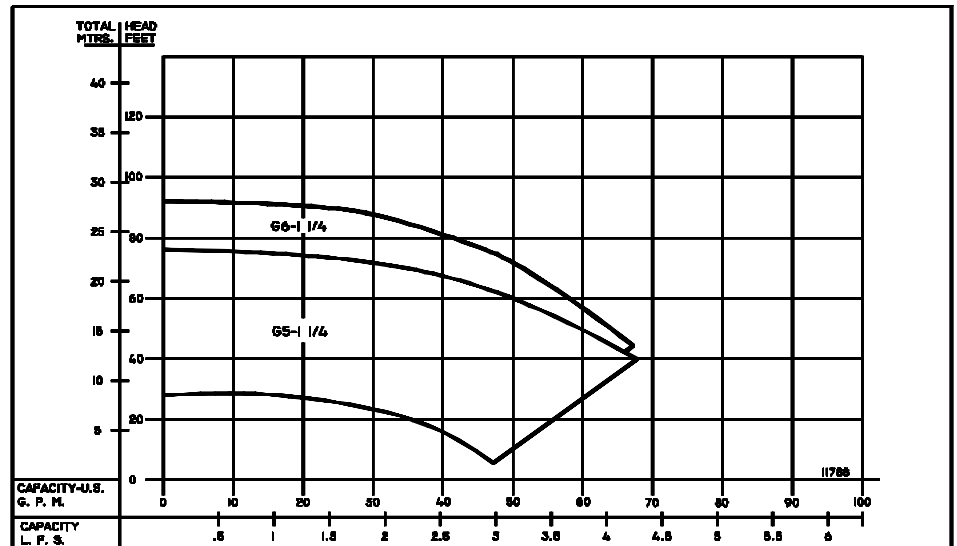
## CLOSED COUPLED CENTRIFUGAL PUMPS



**3500RPM - 60Hz.**  
CAPACITIES TO 80GPM (5LPS)  
HEADS TO 135 FEET (41M)

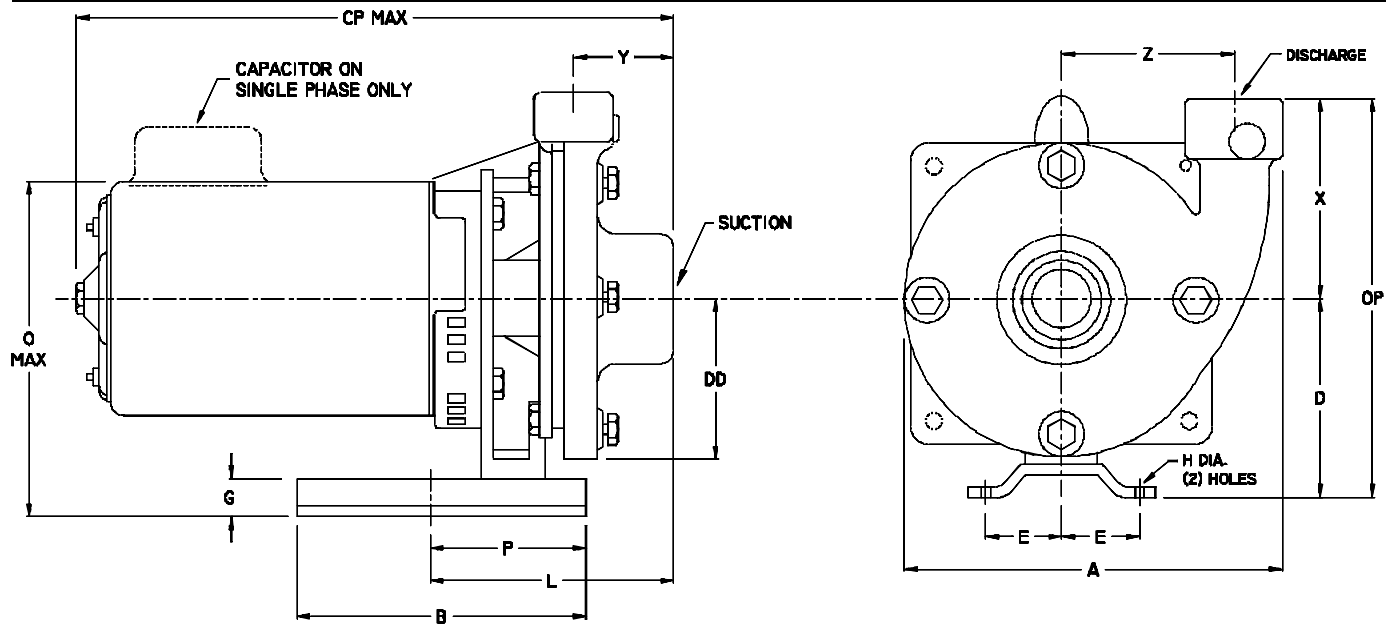


**2900RPM - 50Hz.**  
CAPACITIES TO 68 GPM (4.3LPS)  
HEADS TO 92 FEET (28M)





## DIMENSIONS



**DIMENSIONS IN INCHES**

CATALOG NUMBER	MOTOR FRAME SIZE	DISC NPT	SUCT. NPT	A	B	CP	D	DD	E	G	H	L	O	OP	P	X	Y	Z
G5-1 <sup>1</sup> / <sub>4</sub>	56	1 <sup>1</sup> / <sub>4</sub>	1 <sup>1</sup> / <sub>2</sub>	7 <sup>3</sup> / <sub>4</sub>	8	15 <sup>3</sup> / <sub>4</sub>	4 <sup>3</sup> / <sub>4</sub>	3 <sup>1</sup> / <sub>4</sub>	1 <sup>15</sup> / <sub>16</sub>	3 <sup>3</sup> / <sub>4</sub>	9 <sup>9</sup> / <sub>16</sub>	6 <sup>7</sup> / <sub>8</sub>	8 <sup>9</sup> / <sub>16</sub>	9 <sup>3</sup> / <sub>8</sub>	4 <sup>5</sup> / <sub>16</sub>	4 <sup>7</sup> / <sub>16</sub>	2 <sup>3</sup> / <sub>8</sub>	3 <sup>3</sup> / <sub>8</sub>

**DIMENSIONS IN MILLIMETERS**

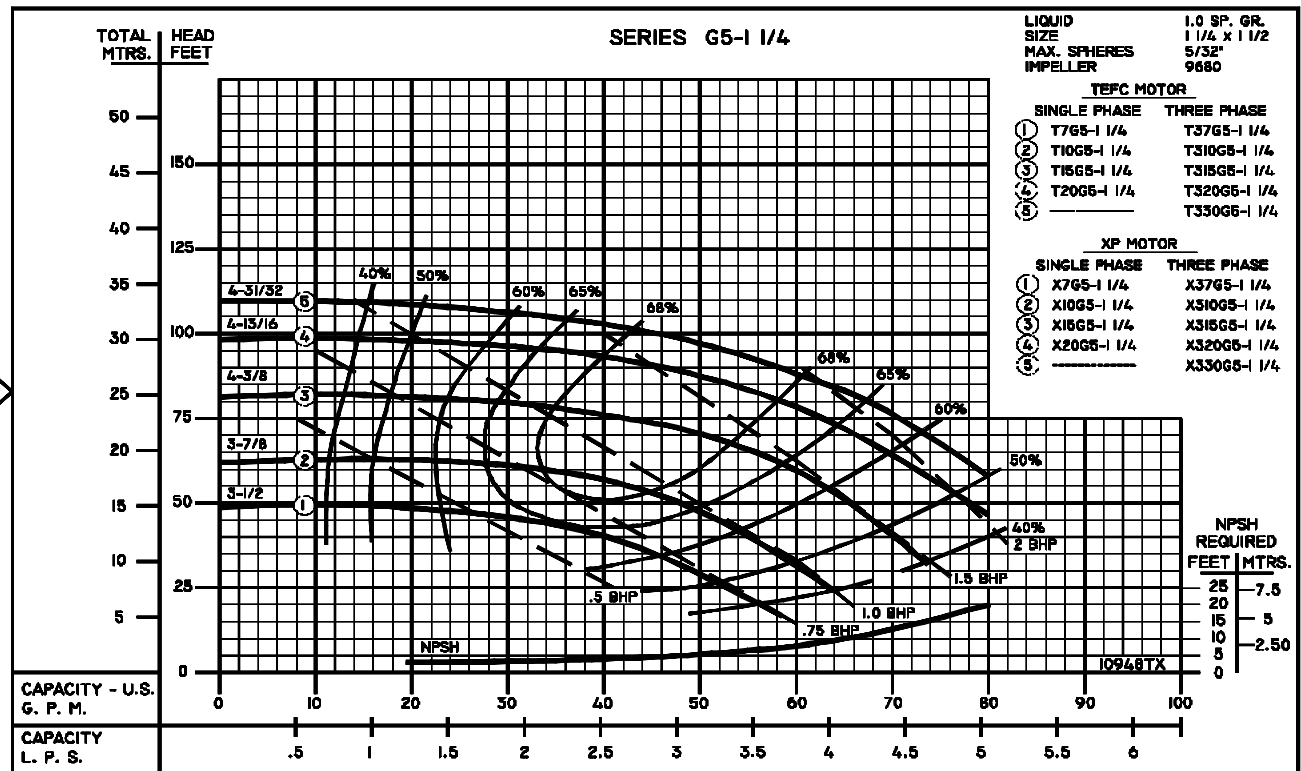
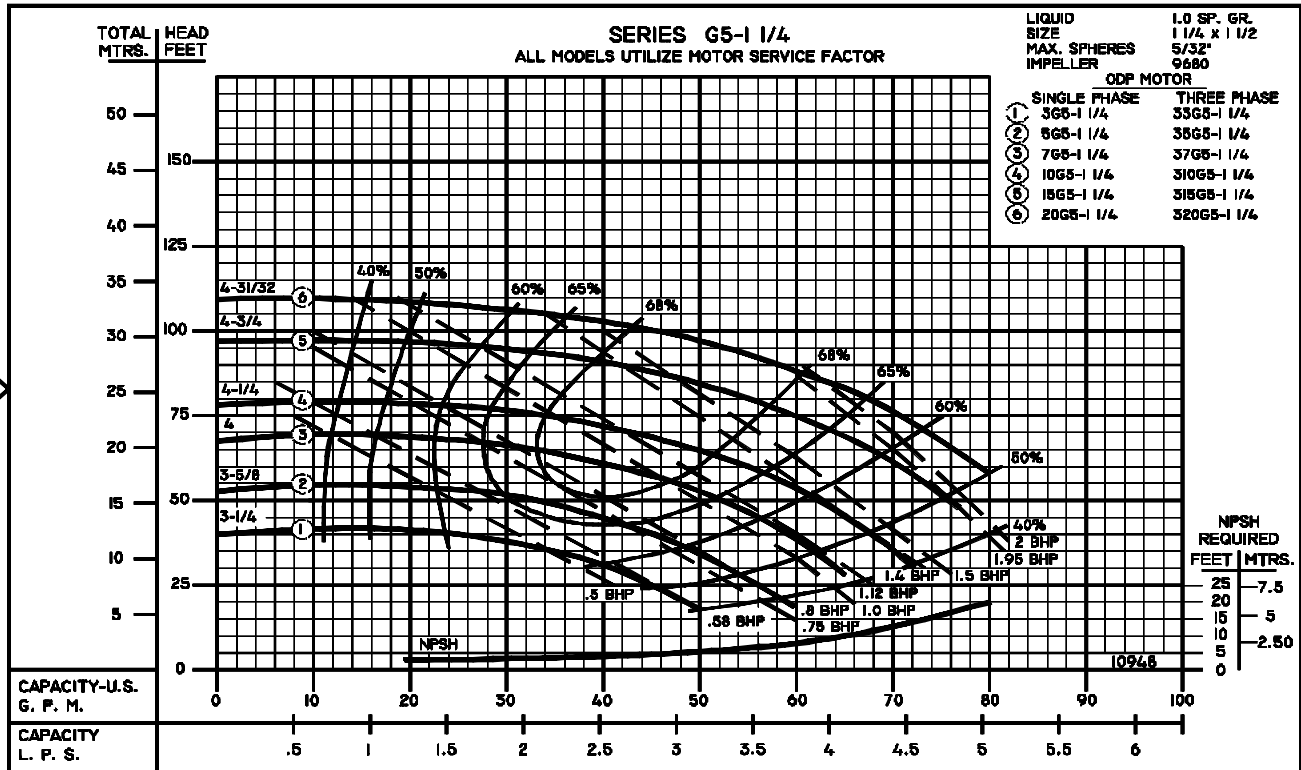
CATALOG NUMBER	MOTOR FRAME SIZE	DISC NPT Inch	SUCT. NPT Inch	A	B	CP	D	DD	E	G	H	L	O	OP	P	X	Y	Z
G5-1 <sup>1</sup> / <sub>4</sub>	56	1 <sup>1</sup> / <sub>4</sub>	1 <sup>1</sup> / <sub>2</sub>	197	203	400	121	83	49	19	14	175	217	238	109	113	60	86

DIMENSIONS SHOWN ABOVE ARE APPROXIMATE MAXIMUM DIMENSIONS FOR STANDARD PUMPS EQUIPPED WITH ODP MOTORS.

# 60Hz PERFORMANCE CURVE



## END SUCTION CENTRIFUGAL PUMPS



PUMPS & SYSTEMS

A Crane Co. Company